



**LED Lighting Solutions**  
2016-2017

**VESTEL**











# LED Luminaires



## Company Profile

04-05

## Downlight

09-16



## Global Operations

06-07

## Panel Light

17-24



## Linear Light

25-28



## LED Bar

29-35



## Addresses





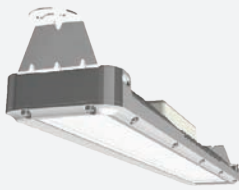

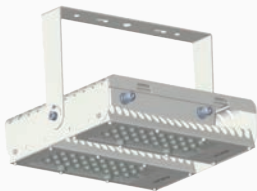

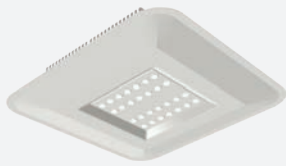


97

## Tracklight

36-39





<p><b>Grid Light</b> 40-42</p>		<p><b>Projector</b> 62</p>	
<p><b>Weather-Proof Batten</b> 43-47</p>		<p><b>Garden Pole</b> 63-65</p>	
<p><b>Mid Bay</b> 48</p>		<p><b>Garden Spot</b> 66-69</p>	
<p><b>High Bay</b> 49-54</p>		<p><b>Bollard</b> 70</p>	
<p><b>Canopy</b> 55-57</p>		<p><b>Street Lights</b> 71-94</p>	
<p><b>Wall-washer</b> 58-61</p>			





## Company Profile

Vestel City, which comprises nine plants located in Manisa, is amongst the biggest industrial complexes of the world.

As one of the leading enterprises in Turkey, Vestel is a major player in consumer electronics, mobile technologies, household appliances, professional displays and LED lighting with renowned products, including television sets, educational, hospitality and digital signage solutions, digital set-top boxes, tablet PCs, smart phones, refrigerators, washing machines, cooking appliances, dishwashers, air conditioners, and water heaters.

The company is recognised for its cutting-edge designs, high product quality, large production capacity, and superior market share growth.

Vestel offers a wide range of LED Lighting solutions for retail, offices, hospitality, outdoor, healthcare, industrial and architectural use. Vestel LED Lighting solutions are designed

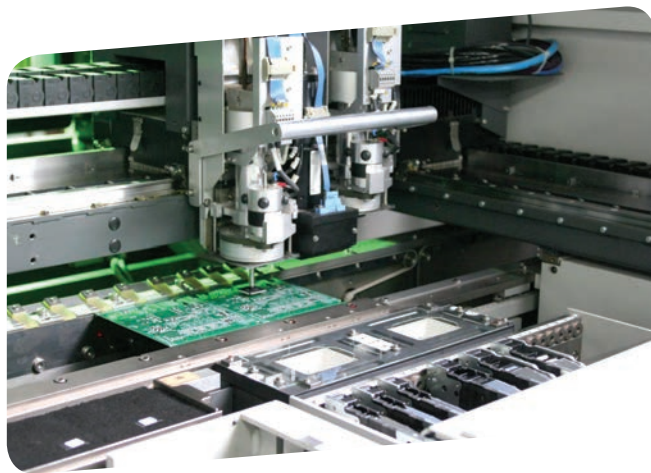


to reduce the energy consumption significantly without compromising the light level and quality with a long lifecycle for these areas. The unique designs also help reducing operational and maintenance costs.

Manufacturing at the highest quality standards requires discipline as well as knowledge and experience.

All Vestel products are tested in-house in the company's





certified quality labs to ensure electronic and mechanical sustainability.

Vestel places the utmost importance to product design and development. The company invests in new technological developments continuously to lead the electronics and household appliance markets.

R&D facilities located in Manisa, İstanbul, the UK, and China employ the highest caliber engineers to develop hardware and software solutions that provide clients with world-class quality products.

The total R&D investment exceeds 90 million US dollars.

Vestel has proven its success in product design by receiving the most prestigious design awards every year from well-known industrial design organisations for a variety of products.

Vestel Trade, the company responsible for the marketing and sales of Vestel products overseas, exports 73% percent of its production under leading Japanese and European brands to 152 countries.

Distributing its products to seven continents, Vestel takes its place as a world-class company.



🌐 Global Operations





## Manufacturing & Assembly Plants

Professional Displays, Tablet PC, Smart Phone, LED lighting – Manisa Turkey

LED TV, HD, IP/OTT, PVR Set-top Boxes – Manisa, Turkey

Refrigerator, Washing Machine, Dishwasher, Cooking Appliances,

Air Conditioner, Water Heater Manisa, Turkey

## Marketing & Sales Companies

Vestel Trade, Turkey

Vestel France, France

Vestel Germany, Germany

Vestel UK, The UK

Vestel Iberia, Spain

Gruppo Industriale Vesit, Italy

Vestel Benelux, The Netherlands

Vestel CIS Ltd, Russia

Vestel Electronica, Romania

Vestel Scandinavia, Finland

Vestfrost Household, Denmark

Vestel Central Asia, Kazakhstan

## R&D Centers

Manisa, Turkey

Istanbul, Turkey

Bristol, UK

Shanghai, China



# Led Luminaires



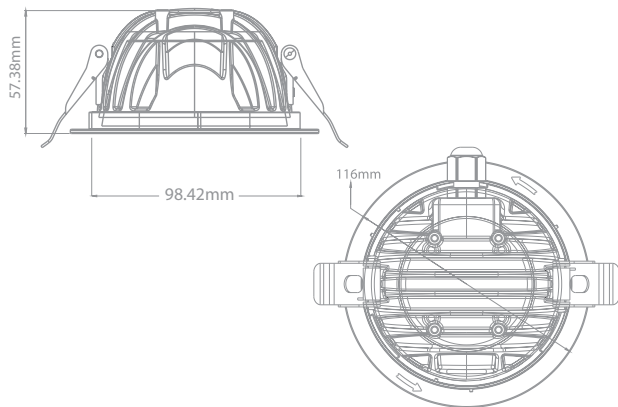


# Downlight

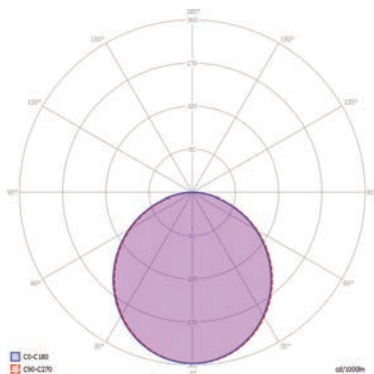
## Aluminium Diffused Downlight - 4"



### DIMENSIONS (mm)



### LIGHT CURVE



### Optical and Electrical

<b>Power</b>	10 W		
<b>Lumen output</b>	900lm	950lm	
<b>Colour temperature</b>	3000K	4000K	6500K
<b>CRI</b>	≥80		
<b>Efficacy</b>	90lm/W	95lm/W	
<b>Beam Angle</b>	110°		
<b>Dimming</b>	Optional		
<b>Life Time</b>	35000 Hours		
<b>IP Rating</b>	IP20		
<b>Emergency Kit</b>	Optional		

### Mechanical

<b>Operating Temperature</b>	0°C - +40°C
<b>Dimensions</b>	116 x 116 x 57,38 mm
<b>Product Weight</b>	0,5 kg
<b>Mounting Options</b>	Recessed

# Downlight

## Aluminium Diffused Downlight - 6"



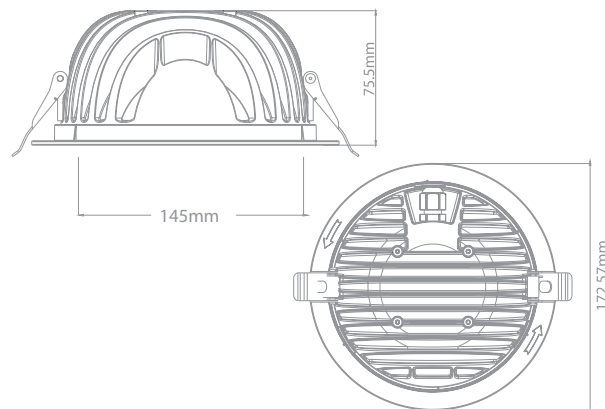
### Optical and Electrical

<b>Power</b>	13W		
<b>Lumen output</b>	1150lm	1250lm	
<b>Colour temperature</b>	3000K	4000K	6500K
<b>CRI</b>	≥80		
<b>Efficacy</b>	88lm/W	98lm/W	
<b>Beam Angle</b>	110°		
<b>Dimming</b>	Optional		
<b>Life Time</b>	35000 Hours		
<b>IP Rating</b>	IP20		
<b>Emergency Kit</b>	Optional		

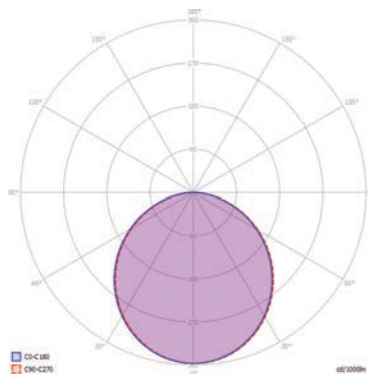
### Mechanical

<b>Operating Temperature</b>	0°C - +40°C
<b>Dimensions</b>	172,57 x 172,57 x 75,5 mm
<b>Product Weight</b>	0,71 kg
<b>Mounting Options</b>	Recessed

### DIMENSIONS (mm)



### LIGHT CURVE



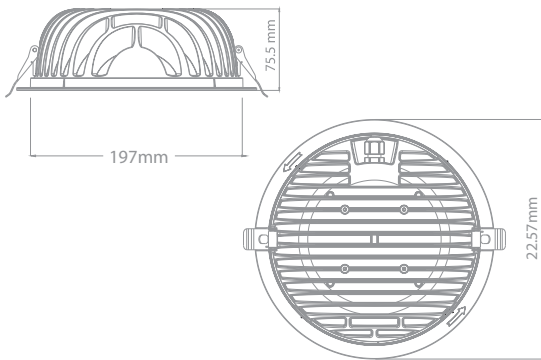


# Downlight

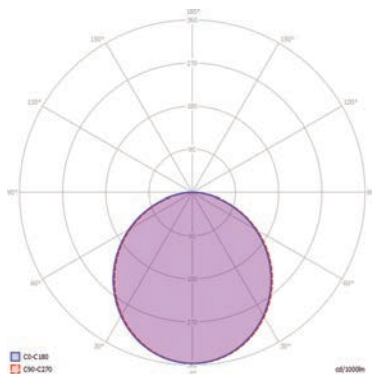
## Aluminium Diffused Downlight - 8"



### DIMENSIONS (mm)



### LIGHT CURVE



### Optical and Electrical

<b>Power</b>	19W		
<b>Lumen output</b>	1800lm	1900lm	
<b>Colour temperature</b>	3000K	4000K	6500K
<b>CRI</b>	≥80		
<b>Efficacy</b>	95lm/W	100lm/W	
<b>Beam Angle</b>	110°		
<b>Dimming</b>	Optional		
<b>Life Time</b>	35000 Hours		
<b>IP Rating</b>	IP20		
<b>Emergency Kit</b>	Optional		

### Mechanical

<b>Operating Temperature</b>	0°C / +40°C
<b>Dimensions</b>	222,57 x 222,57 x 75,5 mm
<b>Product Weight</b>	1,1 kg
<b>Mounting Options</b>	Recessed

# Downlight

## Plastic Diffused Downlight - 4"



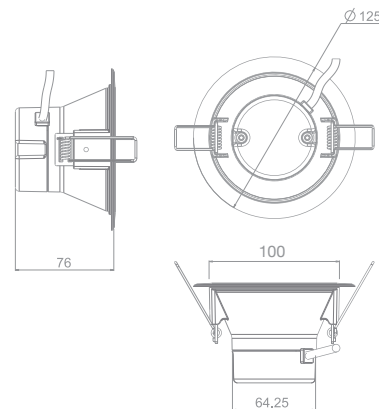
### Optical and Electrical

<b>Power</b>	10W		
<b>Lumen output</b>	700lm	750lm	
<b>Colour temperature</b>	3000K	4000K	6500K
<b>CRI</b>	≥80		
<b>Efficacy</b>	70lm/W	75lm/W	
<b>Beam Angle</b>	110°		
<b>Dimming</b>	Optional		
<b>Life Time</b>	25000 Hours		
<b>IP Rating</b>	IP20		
<b>Emergency Kit</b>	Optional		

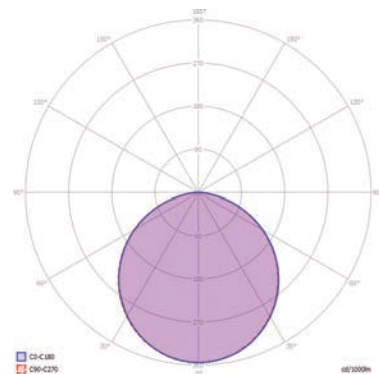
### Mechanical

<b>Operating Temperature</b>	-
<b>Dimensions</b>	125 x 125 x 76 mm
<b>Product Weight</b>	0,187 kg
<b>Mounting Options</b>	Recessed

### DIMENSIONS (mm)



### LIGHT CURVE



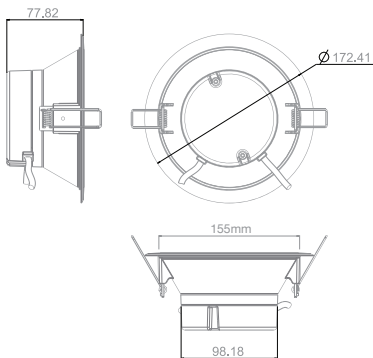


# Downlight

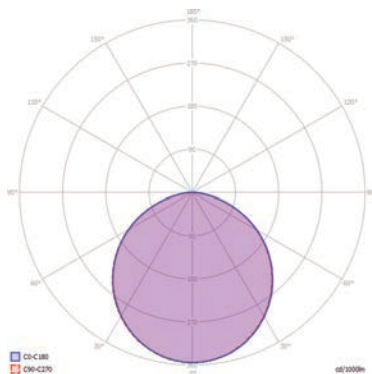
## Plastic Diffused Downlight - 6"



### DIMENSIONS (mm)



### LIGHT CURVE



### Optical and Electrical

<b>Power</b>	13W		
<b>Lumen output</b>	900lm	1000lm	
<b>Colour temperature</b>	3000K	4000K	6500K
<b>CRI</b>	≥80		
<b>Efficacy</b>	70lm/W	77lm/W	
<b>Beam Angle</b>	110°		
<b>Dimming</b>	Optional		
<b>Life Time</b>	25000 Hours		
<b>IP Rating</b>	IP20		
<b>Emergency Kit</b>	Optional		

### Mechanical

<b>Operating Temperature</b>	-
<b>Dimensions</b>	172,41 x 172,41 x 77,82 mm
<b>Product Weight</b>	0,262 kg
<b>Mounting Options</b>	Recessed

## Downlight

### Plastic Diffused Downlight - 8"



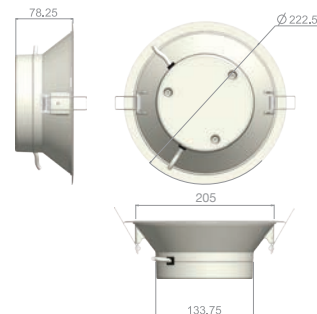
#### Optical and Electrical

<b>Power</b>	19W		
<b>Lumen output</b>	1500lm	1600lm	
<b>Colour temperature</b>	3000K	4000K	6500K
<b>CRI</b>	≥80		
<b>Efficacy</b>	79lm/W	84lm/W	
<b>Beam Angle</b>	110°		
<b>Dimming</b>	Optional		
<b>Life Time</b>	25000 Hours		
<b>IP Rating</b>	IP20		
<b>Emergency Kit</b>	Optional		

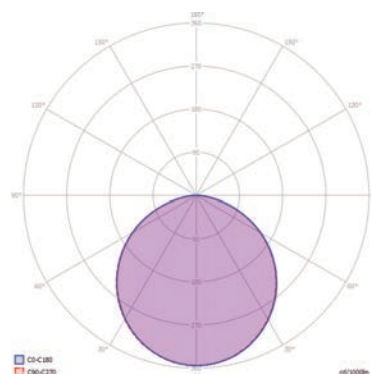
#### Mechanical

<b>Operating Temperature</b>	-
<b>Dimensions</b>	222,5 x 222,5 x 78,25 mm
<b>Product Weight</b>	0,396 kg
<b>Mounting Options</b>	Recessed

#### DIMENSIONS (mm)



#### LIGHT CURVE

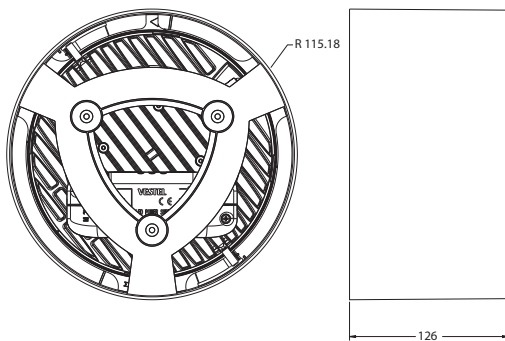




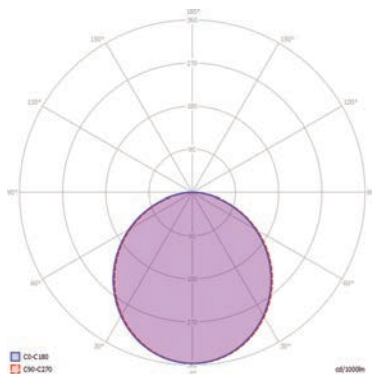
## Downlight Wall light - 6"



### DIMENSIONS (mm)



### LIGHT CURVE



### Optical and Electrical

<b>Power</b>	14,5 W		
<b>Lumen output</b>	1150lm		
<b>Colour temperature</b>	3000 K	4000 K	6500 K
<b>CRI</b>	≥80		
<b>Efficacy</b>	80lm/W		
<b>Beam Angle</b>	110°		
<b>Dimming</b>	Optional		
<b>Life Time</b>	35000 Hours		
<b>IP Rating</b>	IP20		
<b>Emergency Kit</b>	Optional		

### Mechanical

<b>Operating Temperature</b>	0°C / +40°C
<b>Dimensions</b>	181 x 181 x 126 mm
<b>Product Weight</b>	1,5 kg
<b>Mounting Options</b>	Surface Mounted

# Downlight

## Wall light - 8"



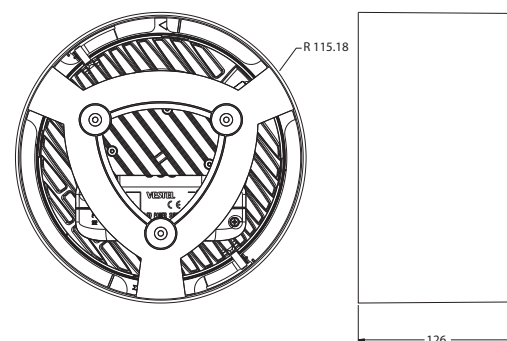
### Optical and Electrical

<b>Power</b>	19 W		
<b>Lumen output</b>	1800lm	1900lm	
<b>Colour temperature</b>	3000 K	4000 K	6500 K
<b>CRI</b>	≥80		
<b>Efficacy</b>	95lm/W	100lm/W	
<b>Beam Angle</b>	110°		
<b>Dimming</b>	Optional		
<b>Life Time</b>	35000 Hours		
<b>IP Rating</b>	IP20		
<b>Emergency Kit</b>	Optional		

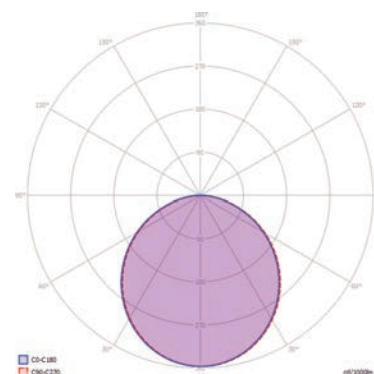
### Mechanical

<b>Operating Temperature</b>	0°C /+40°C
<b>Dimensions</b>	230 x 230 x 126 mm
<b>Product Weight</b>	2,5 kg
<b>Mounting Options</b>	Surface Mounted

### DIMENSIONS (mm)



### LIGHT CURVE





# Panel Light

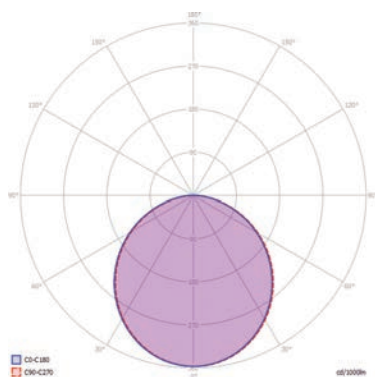
## Back lit - Plastic 2M 60x60



### DIMENSIONS (mm)



### LIGHT CURVE



### Optical and Electrical

<b>Power</b>	20W		
<b>Lumen output</b>	2300lm		
<b>Colour temperature</b>	3000K	4000K	6500K
<b>CRI</b>	≥80		
<b>Efficacy</b>	115lm/W		
<b>Beam Angle</b>	110°		
<b>Dimming</b>	Optional		
<b>Life Time</b>	50000 Hours		
<b>IP Rating</b>	IP20		
<b>Emergency Kit</b>	Optional		

### Mechanical

<b>Operating Temperature</b>	0°C /+40°C
<b>Dimensions</b>	594,6 x 594,6 x 46,85 mm
<b>Product Weight</b>	1,85 kg
<b>Mounting Options</b>	Recessed

## Panel Light

Back lit - Plastic 3M 60x60



### Optical and Electrical

<b>Power</b>	26W		
<b>Lumen output</b>	3200lm		
<b>Colour temperature</b>	3000K	4000K	6500K
<b>CRI</b>	≥80		
<b>Efficacy</b>	123lm/W		
<b>Beam Angle</b>	110°		
<b>Dimming</b>	Optional		
<b>Life Time</b>	50000 Hours		
<b>IP Rating</b>	IP20		
<b>Emergency Kit</b>	Optional		

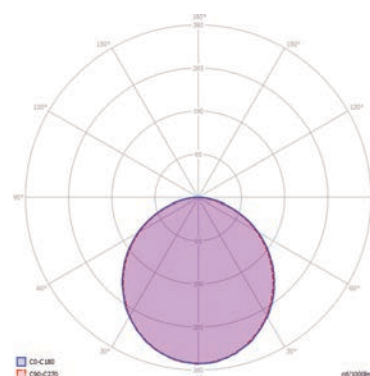
### Mechanical

<b>Operating Temperature</b>	0°C / +40°C
<b>Dimensions</b>	594,6 x 594,6 x 46,85 mm
<b>Product Weight</b>	2,15 kg
<b>Mounting Options</b>	Recessed

### DIMENSIONS (mm)



### LIGHT CURVE



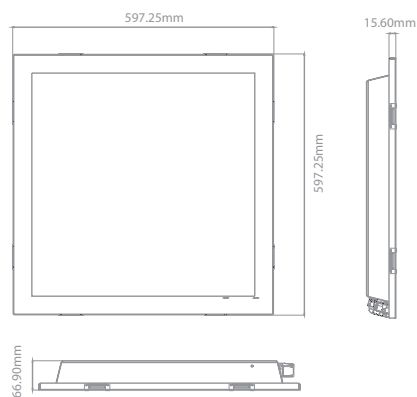


# Panel Light

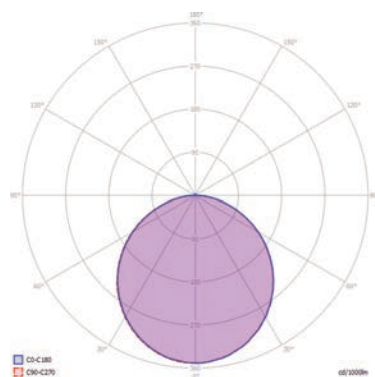
## Back lit - 60x60



### DIMENSIONS (mm)



### LIGHT CURVE



### Optical and Electrical

<b>Power</b>	23W		
<b>Lumen output</b>	3000 lm		
<b>Colour temperature</b>	3000K	4000K	6500K
<b>CRI</b>	≥80		
<b>Efficacy</b>	130 lm/W		
<b>Beam Angle</b>	110°		
<b>Dimming</b>	Optional		
<b>Life Time</b>	50000 Hours		
<b>IP Rating</b>	IP20		
<b>Emergency Kit</b>	Optional		

### Mechanical

<b>Operating Temperature</b>	0°C / +40°C
<b>Dimensions</b>	597,25 x 597,25 x 66,9 mm
<b>Product Weight</b>	5,1 kg
<b>Mounting Options</b>	Recessed, Surface Mounted

## Panel Light

### Back lit - 60x60



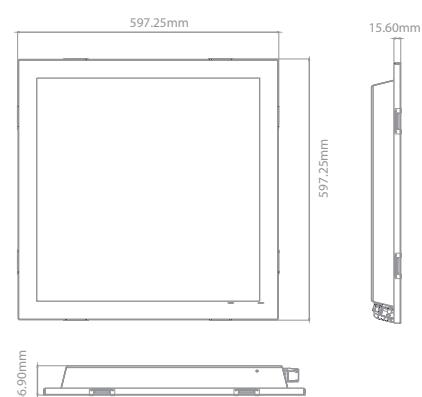
#### Optical and Electrical

<b>Power</b>	27W		
<b>Lumen output</b>	3400 lm		
<b>Colour temperature</b>	3000K	4000K	6500K
<b>CRI</b>	≥80		
<b>Efficacy</b>	125lm/W		
<b>Beam Angle</b>	110°		
<b>Dimming</b>	Optional		
<b>Life Time</b>	50000 Hours		
<b>IP Rating</b>	IP20		
<b>Emergency Kit</b>	Optional		

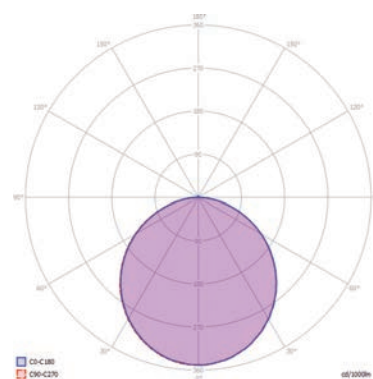
#### Mechanical

<b>Operating Temperature</b>	0°C / +40°C		
<b>Dimensions</b>	597,25 x 597,25 x 66,9 mm		
<b>Product Weight</b>	5,1 kg		
<b>Mounting Options</b>	Recessed, Surface Mounted		

#### DIMENSIONS (mm)



#### LIGHT CURVE



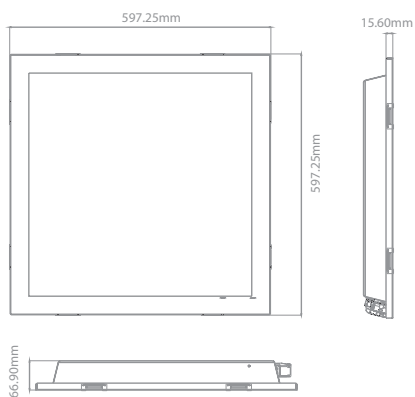


# Panel Light

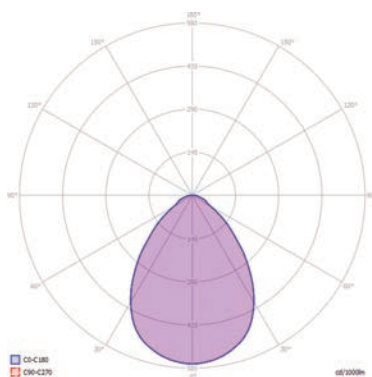
## Back lit Prismatic - 60x60



### DIMENSIONS (mm)



### LIGHT CURVE



### Optical and Electrical

<b>Power</b>	27W		
<b>Lumen output</b>	3400 lm		
<b>Colour temperature</b>	3000K	4000K	6500K
<b>CRI</b>	≥80		
<b>Efficacy</b>	125lm/W		
<b>Beam Angle</b>	85°		
<b>UGR</b>	19		
<b>Dimming</b>	Optional		
<b>Life Time</b>	50000 Hours		
<b>IP Rating</b>	IP20		
<b>Emergency Kit</b>	Optional		

### Mechanical

<b>Operating Temperature</b>	0°C / +40°C
<b>Dimensions</b>	597,25 x 597,25 x 66,9 mm
<b>Product Weight</b>	5,1 kg
<b>Mounting Options</b>	Recessed, Surface Mounted

## Panel Light

Back lit - 30x120



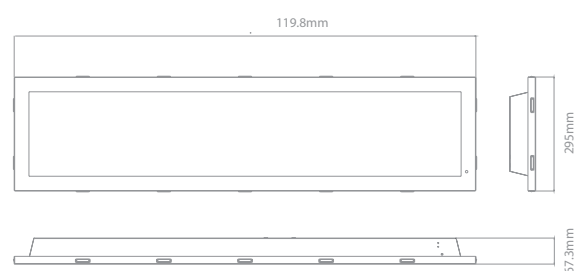
### Optical and Electrical

<b>Power</b>	27W		
<b>Lumen output</b>	3200lm		
<b>Colour temperature</b>	3000K	4000K	6500K
<b>CRI</b>	≥80		
<b>Efficacy</b>	118lm/W		
<b>Beam Angle</b>	110°		
<b>Dimming</b>	Optional		
<b>Life Time</b>	50000 Hours		
<b>IP Rating</b>	IP20		
<b>Emergency Kit</b>	Optional		

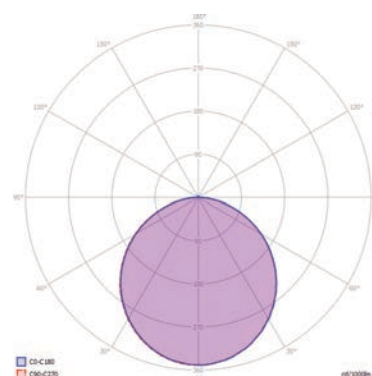
### Mechanical

<b>Operating Temperature</b>	0°C / +40°C
<b>Dimensions</b>	119,8 x 295 x 67,3 mm
<b>Product Weight</b>	5,1 kg
<b>Mounting Options</b>	Recessed

### DIMENSIONS (mm)



### LIGHT CURVE



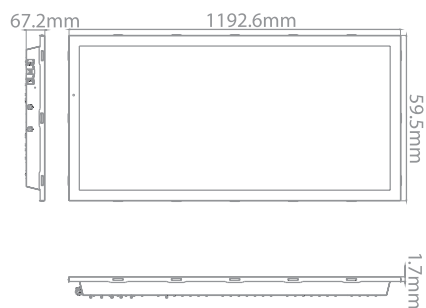


# Panel Light

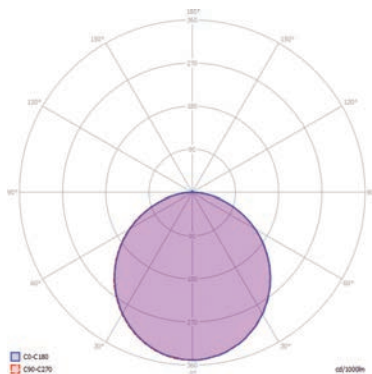
Back lit - 60x120



## DIMENSIONS (mm)



## LIGHT CURVE



## Optical and Electrical

<b>Power</b>	45W
<b>Lumen output</b>	5400lm
<b>Colour temperature</b>	3000K 4000K 6500K
<b>CRI</b>	≥80
<b>Efficacy</b>	120lm/W
<b>Beam Angle</b>	110°
<b>Dimming</b>	Optional
<b>Life Time</b>	50000 Hours
<b>IP Rating</b>	IP20
<b>Emergency Kit</b>	Optional

## Mechanical

<b>Operating Temperature</b>	0°C /+40°C
<b>Dimensions</b>	1192,6 x 59,5 x 67,2 mm
<b>Product Weight</b>	9,5 kg
<b>Mounting Options</b>	Recessed

# Panel Light

## Back lit - 30x30



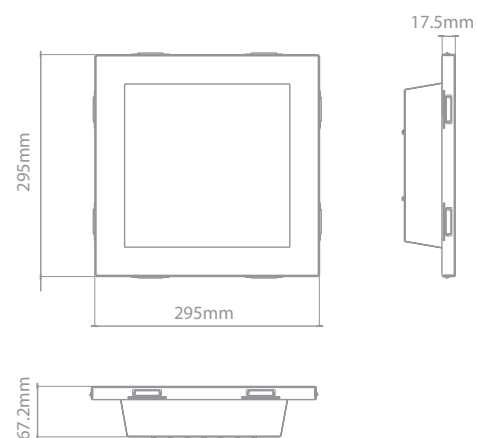
### Optical and Electrical

<b>Power</b>	10W		
<b>Lumen output</b>	1000lm		
<b>Colour temperature</b>	3000K	4000K	6500K
<b>CRI</b>	≥80		
<b>Efficacy</b>	100lm/W		
<b>Beam Angle</b>	110°		
<b>Dimming</b>	Optional		
<b>Life Time</b>	50000 Hours		
<b>IP Rating</b>	IP20		
<b>Emergency Kit</b>	Optional		

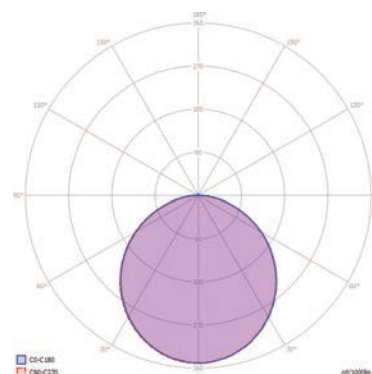
### Mechanical

<b>Operating Temperature</b>	0°C / +40°C
<b>Dimensions</b>	295 x 295 x 67,2 mm
<b>Product Weight</b>	1,5 kg
<b>Mounting Options</b>	Recessed

### DIMENSIONS (mm)



### LIGHT CURVE



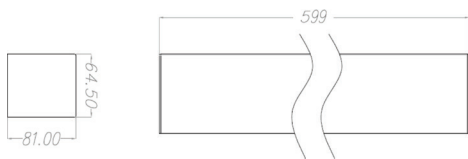


# Linear Light

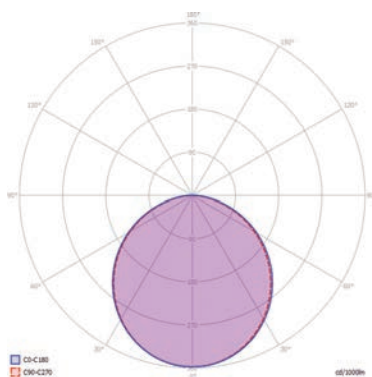
## Diffused Linear Light - 60cm



### DIMENSIONS (mm)



### LIGHT CURVE



### Optical and Electrical

<b>Power</b>	14W		
<b>Lumen output</b>	1200lm	1300lm	
<b>Colour temperature</b>	3000K	4000K	6500K
<b>CRI</b>	≥80		
<b>Efficacy</b>	85lm/W	100lm/W	
<b>Beam Angle</b>	110°		
<b>Dimming</b>	Optional		
<b>Life Time</b>	50000 Hours		
<b>IP Rating</b>	IP20		
<b>Emergency Kit</b>	Optional		

### Mechanical

<b>Operating Temperature</b>	0°C /+40°C
<b>Dimensions</b>	599 x 81 x 64,5 mm
<b>Product Weight</b>	1,8 kg
<b>Mounting Options</b>	Suspended, Recessed, Surface Mounted

## Linear Light

### Diffused Linear Light - 90cm



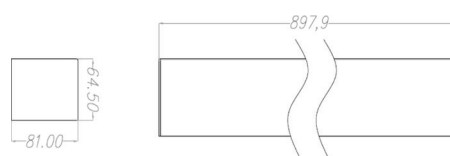
#### Optical and Electrical

<b>Power</b>	19W		
<b>Lumen output</b>	1650lm	1850lm	
<b>Colour temperature</b>	3000K	4000K	6500K
<b>CRI</b>	≥80		
<b>Efficacy</b>	85lm/W	100lm/W	
<b>Beam Angle</b>	110°		
<b>Dimming</b>	Optional		
<b>Life Time</b>	50000 Hours		
<b>IP Rating</b>	IP20		
<b>Emergency Kit</b>	Optional		

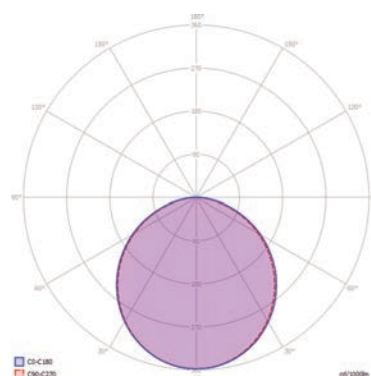
#### Mechanical

<b>Operating Temperature</b>	0°C / +40°C
<b>Dimensions</b>	897,9 x 81 x 64,5 mm
<b>Product Weight</b>	2,4 kg
<b>Mounting Options</b>	Suspended, Recessed, Surface Mounted

#### DIMENSIONS (mm)



#### LIGHT CURVE



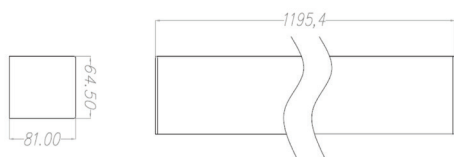


# Linear Light

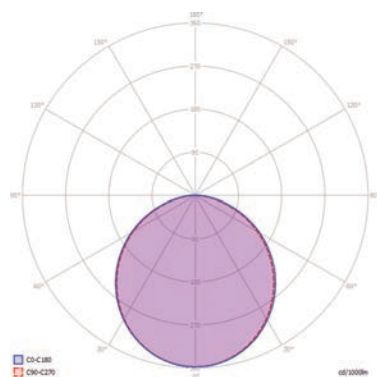
## Diffused Linear Light - 120cm



### DIMENSIONS (mm)



### LIGHT CURVE



### Optical and Electrical

<b>Power</b>	28W		
<b>Lumen output</b>	2500lm	2700lm	3100lm
<b>Colour temperature</b>	3000K	4000K	6500K
<b>CRI</b>	≥80		
<b>Efficacy</b>	90lm/W	100lm/W	110lm/W
<b>Beam Angle</b>	110°		
<b>Dimming</b>	Optional		
<b>Life Time</b>	50000 Hours		
<b>IP Rating</b>	IP20		
<b>Emergency Kit</b>	Optional		

### Mechanical

<b>Operating Temperature</b>	0°C /+40°C
<b>Dimensions</b>	1195,4 x 81 x 64,5 mm
<b>Product Weight</b>	3 kg
<b>Mounting Options</b>	Suspended, Recessed, Surface Mounted

## Linear Light

Diffused Linear Light - 150cm



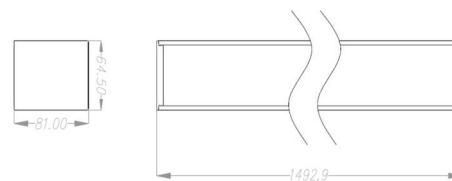
### Optical and Electrical

<b>Power</b>	31W		
<b>Lumen output</b>	3200lm		
<b>Colour temperature</b>	3000K	4000K	6500K
<b>CRI</b>	≥80		
<b>Efficacy</b>	103lm/W		
<b>Beam Angle</b>	110°		
<b>Dimming</b>	Optional		
<b>Life Time</b>	50000 Hours		
<b>IP Rating</b>	IP20		
<b>Emergency Kit</b>	Optional		

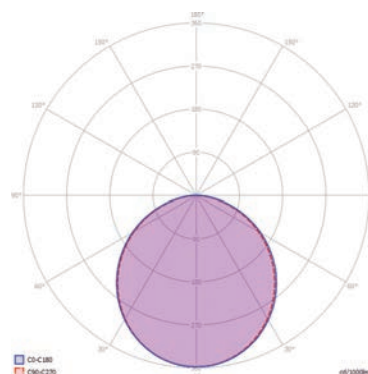
### Mechanical

<b>Operating Temperature</b>	0°C / +40°C
<b>Dimensions</b>	1492,9 x 81 x 64,5 mm
<b>Product Weight</b>	3,5 kg
<b>Mounting Options</b>	Suspended, Recessed, Surface Mounted

### DIMENSIONS (mm)



### LIGHT CURVE

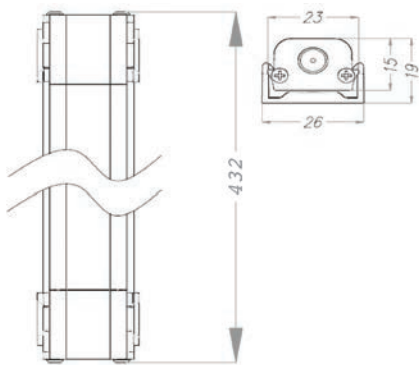




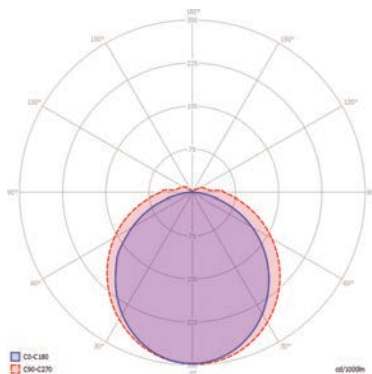
# LED Bar 430 mm



## DIMENSIONS (mm)



## LIGHT CURVE



## Optical and Electrical

<b>Power</b>	6 W
<b>Lumen output</b>	400lm
<b>Colour temperature</b>	4000K
<b>CRI</b>	≥80
<b>Efficacy</b>	66lm/W
<b>Beam Angle</b>	120°
<b>Dimming</b>	-
<b>Life Time</b>	35000 Hours
<b>IP Rating</b>	IP20
<b>Emergency Kit</b>	-

## Mechanical

<b>Operating Temperature</b>	0°C /+40°C
<b>Dimensions</b>	432 x 26 x 19 mm
<b>Product Weight</b>	0,13 kg
<b>Mounting Options</b>	-

## LED Bar

595 mm



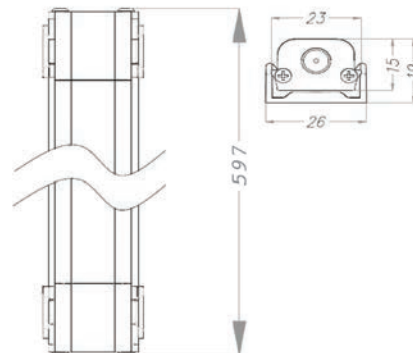
### Optical and Electrical

Power	8,5 W
Lumen output	650lm
Colour temperature	4000 K
CRI	≥80
Efficacy	75lm/W
Beam Angle	120°
Dimming	-
Life Time	35000 Hours
IP Rating	IP20
Emergency Kit	-

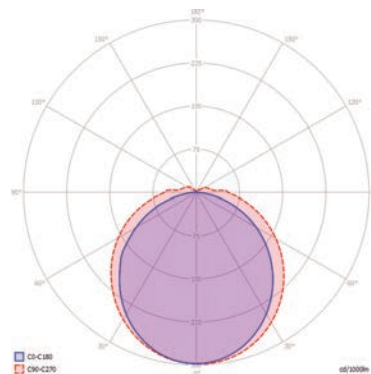
### Mechanical

Operating Temperature	0°C /+40°C
Dimensions	597 x 26 x 19 mm
Product Weight	0,17 kg
Mounting Options	-

### DIMENSIONS (mm)



### LIGHT CURVE

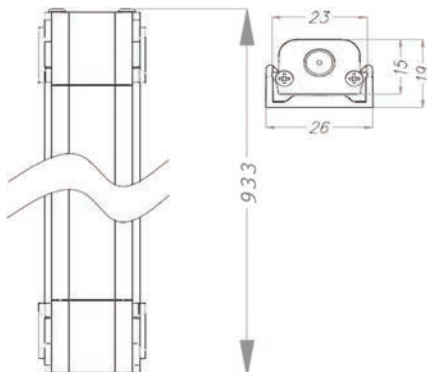




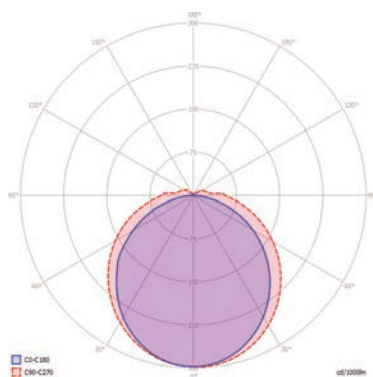
## LED Bar 930 mm



### DIMENSIONS (mm)



### LIGHT CURVE



### Optical and Electrical

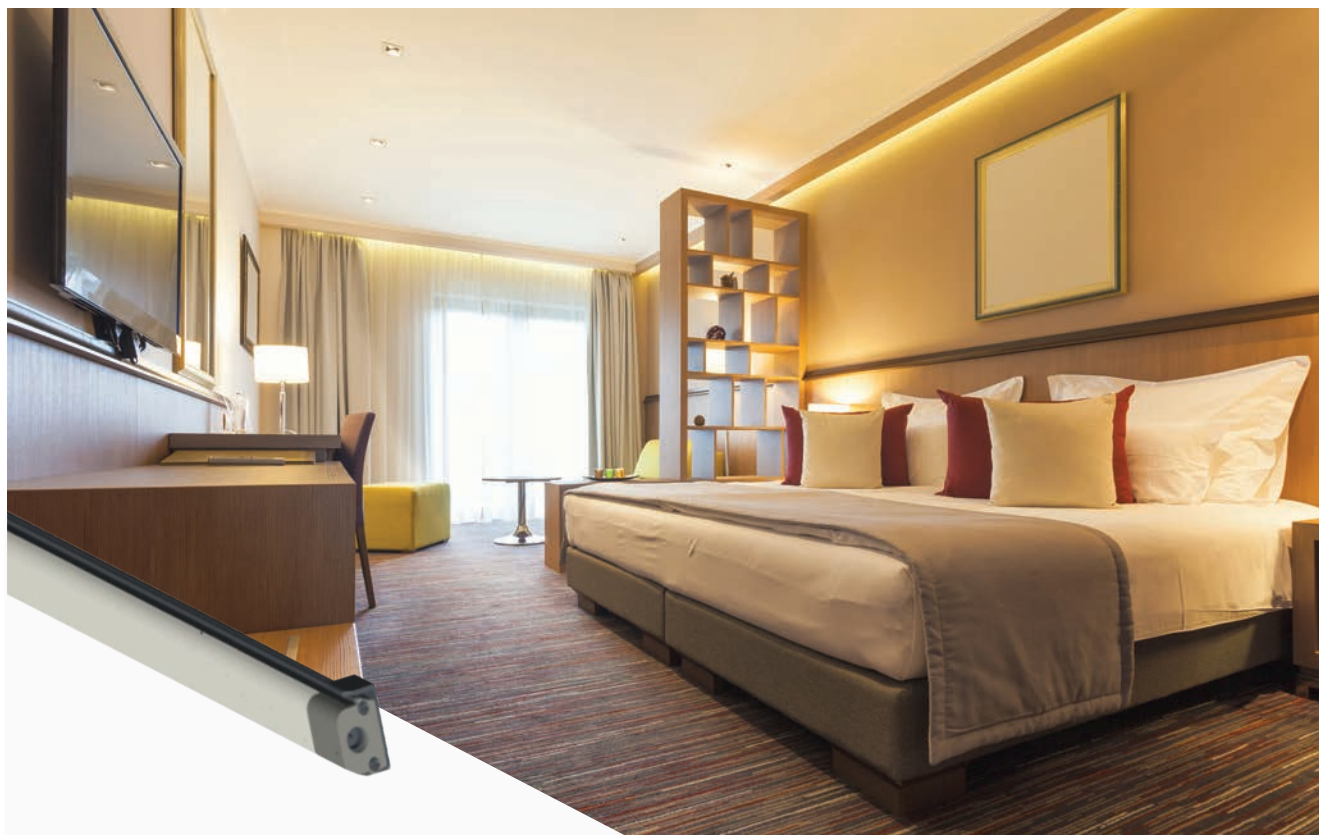
Power	12W
Lumen output	950lm
Colour temperature	4000 K
CRI	≥80
Efficacy	79lm/W
Beam Angle	120°
Dimming	-
Life Time	35000 Hours
IP Rating	IP20
Emergency Kit	-

### Mechanical

Operating Temperature	0°C /+40°C
Dimensions	933 x 26 x 19 mm
Product Weight	0,235 kg
Mounting Options	-

## LED Bar

1260 mm



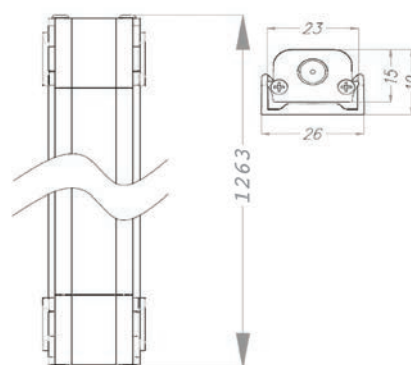
### Optical and Electrical

Power	17,5W
Lumen output	1250lm
Colour temperature	4000 K
CRI	≥80
Efficacy	70lm/W
Beam Angle	120°
Dimming	-
Life Time	35000 Hours
IP Rating	IP20
Emergency Kit	-

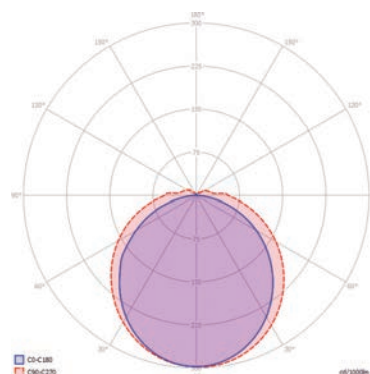
### Mechanical

Operating Temperature	0°C /+40°C
Dimensions	1263 x 26 x 19 mm
Product Weight	0,31 kg
Mounting Options	-

### DIMENSIONS (mm)



### LIGHT CURVE

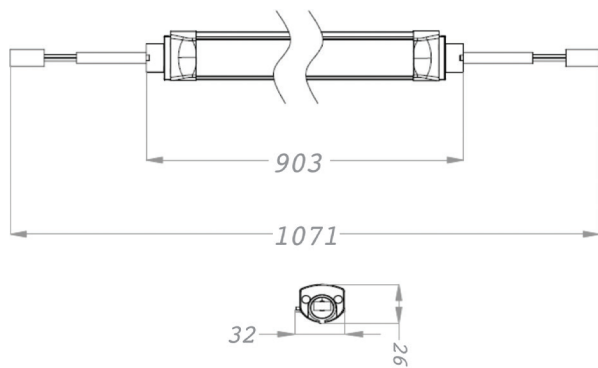


# LED Bar V2

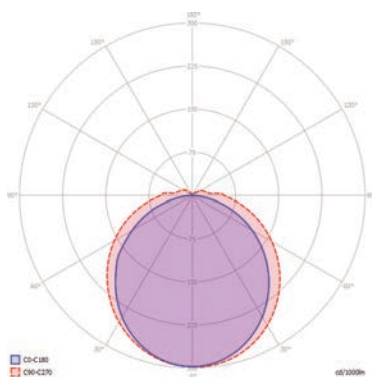
900 mm



## DIMENSIONS (mm)



## LIGHT CURVE



## Optical and Electrical

Power	11W
Lumen output	900lm
Colour temperature	4000K
CRI	≥80
Efficacy	82lm/W
Beam Angle	120°
Dimming	-
Life Time	35000 Hours
IP Rating	IP20
Emergency Kit	-

## Mechanical

Operating Temperature	0°C /+40°C
Dimensions	903 x 32 x 26 mm
Product Weight	0,6 kg
Mounting Options	-



## LED Bar V2

1180 mm



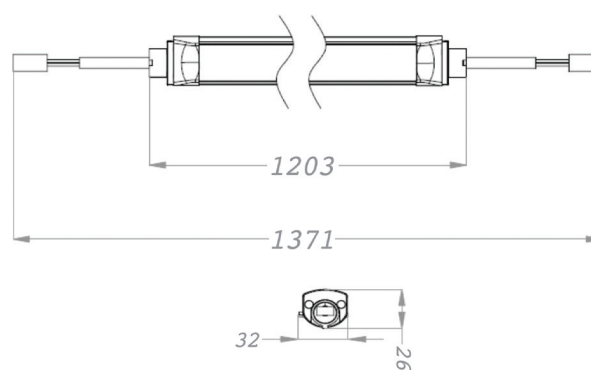
### Optical and Electrical

Power	21W
Lumen output	1400lm
Colour temperature	4000K
CRI	≥80
Efficacy	67lm/W
Beam Angle	120°
Dimming	-
Life Time	35000 Hours
IP Rating	IP20
Emergency Kit	-

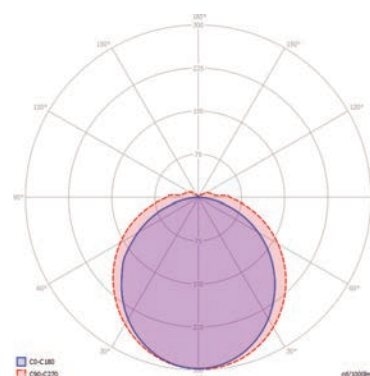
### Mechanical

Operating Temperature	0°C /+40°C
Dimensions	1203 x 32 x 26 mm
Product Weight	0,6 kg
Mounting Options	-

### DIMENSIONS (mm)



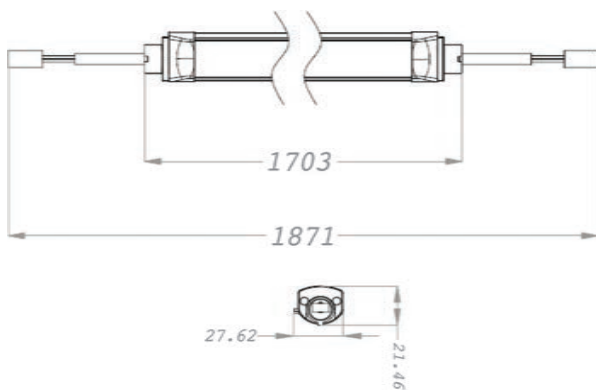
### LIGHT CURVE



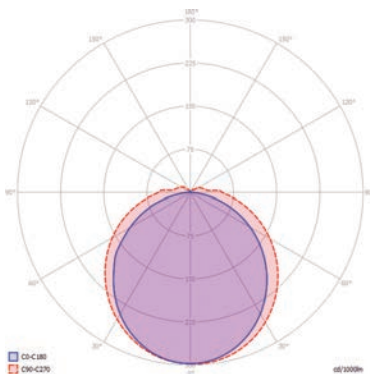
## LED Bar V2 1700 mm



### DIMENSIONS (mm)



### LIGHT CURVE



### Optical and Electrical

Power	30W
Lumen output	1600lm
Colour temperature	4000K
CRI	≥80
Efficacy	54lm/W
Beam Angle	120°
Dimming	-
Life Time	35000 Hours
IP Rating	IP20
Emergency Kit	-

### Mechanical

Operating Temperature	0°C /+40°C
Dimensions	1703 x 27,62 x 21,46 mm
Product Weight	0,82 kg
Mounting Options	-

# Tracklight V2



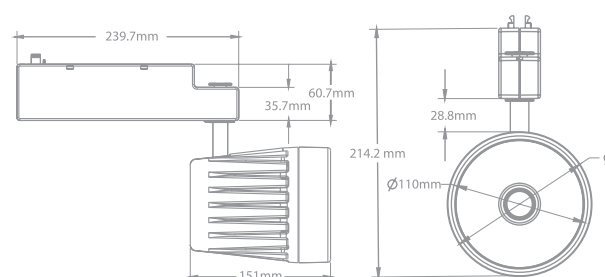
## Optical and Electrical

<b>Power</b>	21W	
<b>Lumen output</b>	2000lm	
<b>Colour temperature</b>	3000K	4000K
<b>CRI</b>	≥80 (≥90 optional)	
<b>Efficacy</b>	95lm/W	
<b>Beam Angle</b>	20° / 36°	
<b>Dimming</b>	Optional	
<b>Life Time</b>	50000 Hours	
<b>IP Rating</b>	IP22	
<b>Emergency Kit</b>	-	

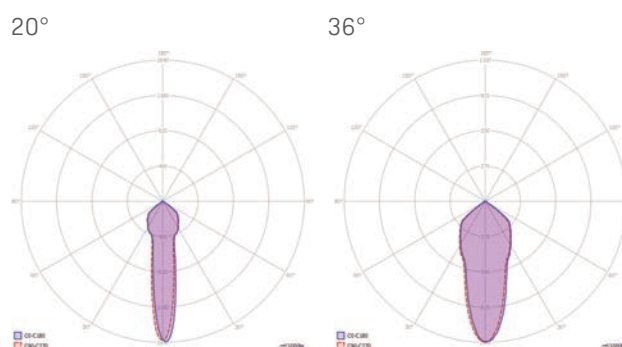
## Mechanical

<b>Operating Temperature</b>	0°C / +40°C
<b>Dimensions</b>	214,2 x 110 x 151 mm
<b>Product Weight</b>	1,5 kg
<b>Mounting Options</b>	-

## DIMENSIONS (mm)



## LIGHT CURVE

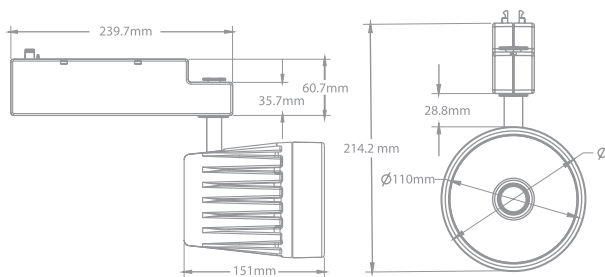




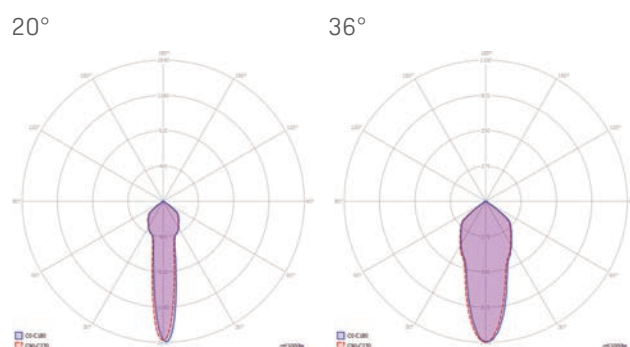
# Tracklight V2



## DIMENSIONS (mm)



## LIGHT CURVE



## Optical and Electrical

<b>Power</b>	36 W	
<b>Lumen output</b>	3200lm	3400lm
<b>Colour temperature</b>	3000 K	4000 K
<b>CRI</b>	≥80 (≥90 optional)	
<b>Efficacy</b>	94lm/W	
<b>Beam Angle</b>	20° / 36°	
<b>Dimming</b>	Optional	
<b>Life Time</b>	50000 Hours	
<b>IP Rating</b>	IP22	
<b>Emergency Kit</b>	-	

## Mechanical

<b>Operating Temperature</b>	0°C / +40°C
<b>Dimensions</b>	214,2 x 110 x 151 mm
<b>Product Weight</b>	1,5 kg
<b>Mounting Options</b>	-

# Tracklight V4



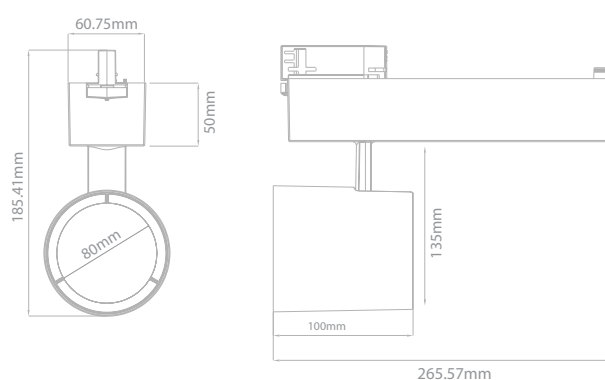
## Optical and Electrical

<b>Power</b>	21W	
<b>Lumen output</b>	1800lm	1900lm
<b>Colour temperature</b>	3000K	4000K
<b>CRI</b>	≥80 (≥90 optional)	
<b>Efficacy</b>	85lm/W	90lm/W
<b>Beam Angle</b>	25° / 50°	
<b>Dimming</b>	Optional	
<b>Life Time</b>	50000 Hours	
<b>IP Rating</b>	IP22	
<b>Emergency Kit</b>	-	

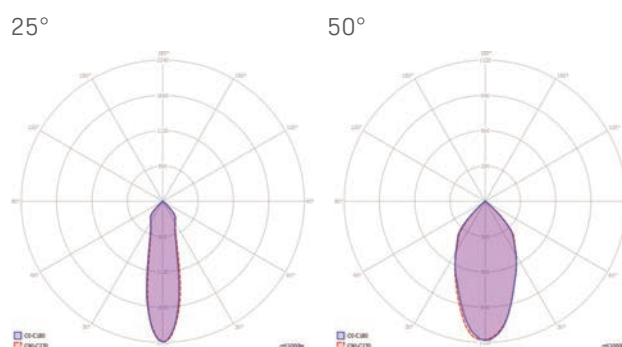
## Mechanical

<b>Operating Temperature</b>	0°C / +40°C
<b>Dimensions</b>	265,57 x 100 x 185,41 mm
<b>Product Weight</b>	1,07 kg
<b>Mounting Options</b>	-

## DIMENSIONS (mm)



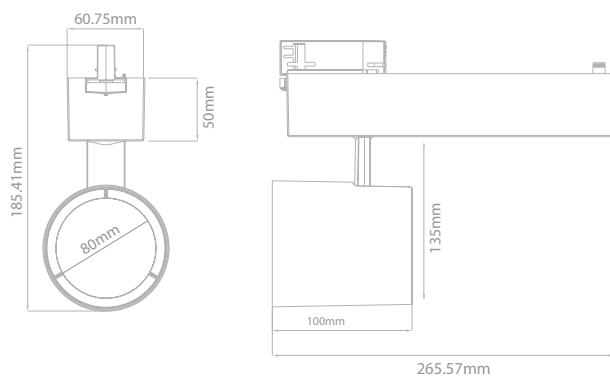
## LIGHT CURVE



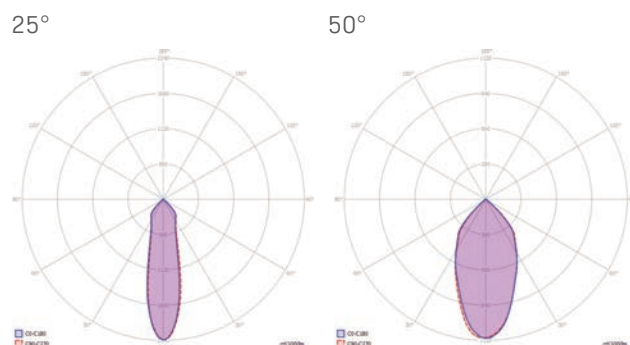
# Tracklight V4



## DIMENSIONS (mm)



## LIGHT CURVE



## Optical and Electrical

<b>Power</b>	36W	
<b>Lumen output</b>	3100lm	3200lm
<b>Colour temperature</b>	3000K	4000K
<b>CRI</b>	≥80 (≥90 optional)	
<b>Efficacy</b>	86lm/W	88lm/W
<b>Beam Angle</b>	25° / 50°	
<b>Dimming</b>	Optional	
<b>Life Time</b>	50000 Hours	
<b>IP Rating</b>	IP22	
<b>Emergency Kit</b>	-	

## Mechanical

<b>Operating Temperature</b>	0°C / +40°C
<b>Dimensions</b>	265,57 x 100 x 185,41 mm
<b>Product Weight</b>	1,07 kg
<b>Mounting Options</b>	-



# Grid Light

## 1M



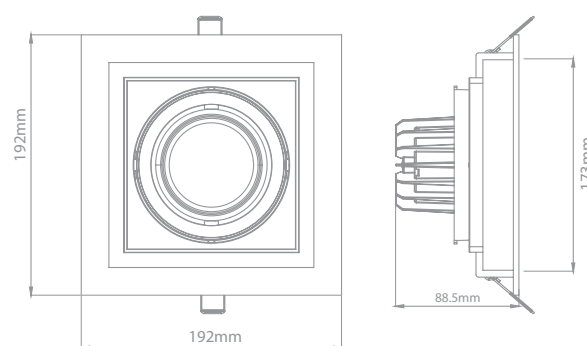
### Optical and Electrical

<b>Power</b>	14W		
<b>Lumen output</b>	1400lm	1500lm	
<b>Colour temperature</b>	3000K	4000K	6500K
<b>CRI</b>	≥80		
<b>Efficacy</b>	100lm/W	107lm/W	
<b>Beam Angle</b>	35°		
<b>Dimming</b>	Optional		
<b>Life Time</b>	35000 Hours		
<b>IP Rating</b>	IP20		
<b>Emergency Kit</b>	-		

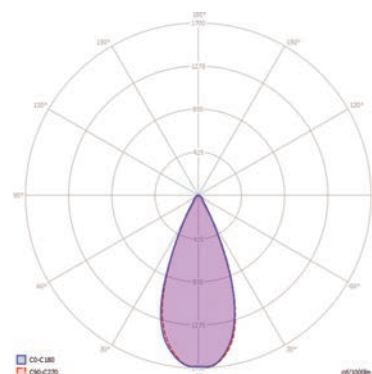
### Mechanical

<b>Operating Temperature</b>	0°C / +40°C
<b>Dimensions</b>	192 x 192 x 88,5 mm
<b>Product Weight</b>	1,20 kg
<b>Mounting Options</b>	Recessed

### DIMENSIONS (mm)



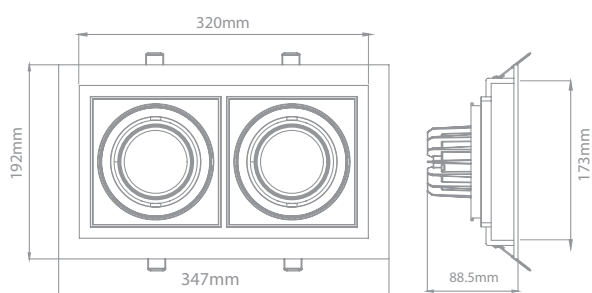
### LIGHT CURVE



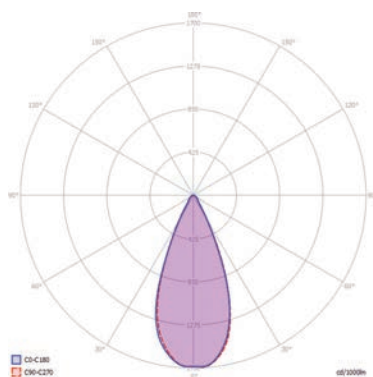
# Grid Light 2M



## DIMENSIONS (mm)



## LIGHT CURVE



## Optical and Electrical

<b>Power</b>	28W		
<b>Lumen output</b>	2700lm	2800lm	
<b>Colour temperature</b>	3000K	4000K	6500K
<b>CRI</b>	≥80		
<b>Efficacy</b>	96lm/W	100lm/W	
<b>Beam Angle</b>	35°		
<b>Dimming</b>	Optional		
<b>Life Time</b>	35000 Hours		
<b>IP Rating</b>	IP20		
<b>Emergency Kit</b>	-		

## Mechanical

<b>Operating Temperature</b>	0°C /+40°C
<b>Dimensions</b>	347 x 192 x 88,5 mm
<b>Mounting Options</b>	Recessed

# Grid Light

## 3M



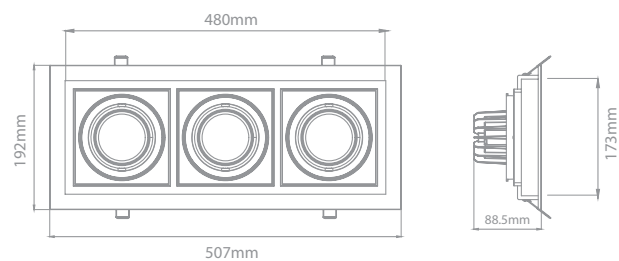
### Optical and Electrical

<b>Power</b>	28W		
<b>Lumen output</b>	4000lm	4200lm	
<b>Colour temperature</b>	3000K	4000K	6500K
<b>CRI</b>	≥80		
<b>Efficacy</b>	95lm/W	100lm/W	
<b>Beam Angle</b>	35°		
<b>Dimming</b>	Optional		
<b>Life Time</b>	35000 Hours		
<b>IP Rating</b>	IP20		
<b>Emergency Kit</b>	-		

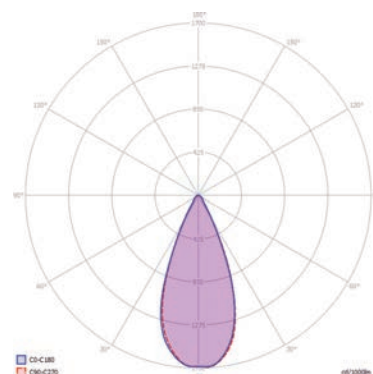
### Mechanical

<b>Operating Temperature</b>	0°C /+40°C
<b>Dimensions</b>	507 x 192 x 88,5 mm
<b>Product Weight</b>	2,70 kg
<b>Mounting Options</b>	Recessed

### DIMENSIONS (mm)



### LIGHT CURVE



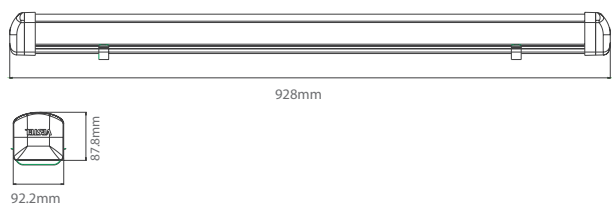


# Weather-Proof Batten

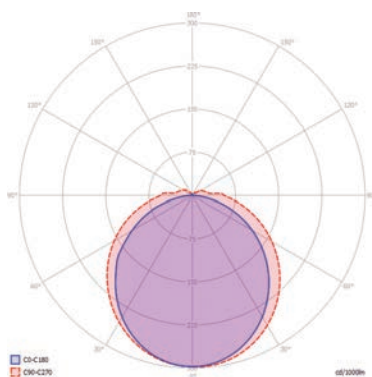
90 cm



## DIMENSIONS (mm)



## LIGHT CURVE



## Optical and Electrical

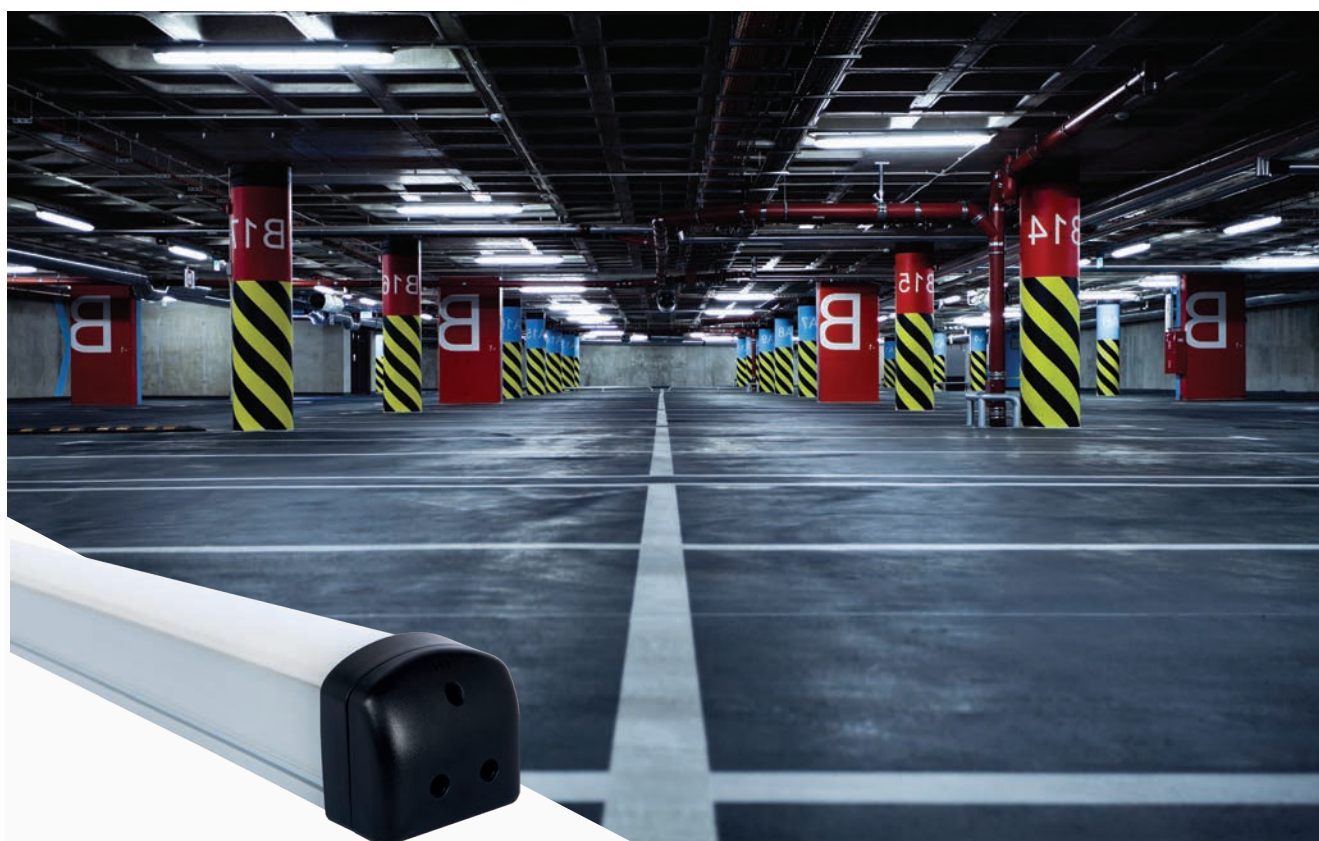
<b>Power</b>	23W
<b>Lumen output</b>	2500lm
<b>Colour temperature</b>	4000K
<b>CRI</b>	≥80
<b>Efficacy</b>	108lm/W
<b>Beam Angle</b>	100°
<b>Dimming</b>	Optional
<b>Life Time</b>	50000 Hours
<b>IP Rating</b>	IP65
<b>Emergency Kit</b>	Optional

## Mechanical

<b>Operating Temperature</b>	-40°C / +40°C
<b>Dimensions</b>	928 x 92,2 x 87,8 mm
<b>Product Weight</b>	3 kg
<b>Mounting Options</b>	-

# Weather-Proof Batten

120 cm



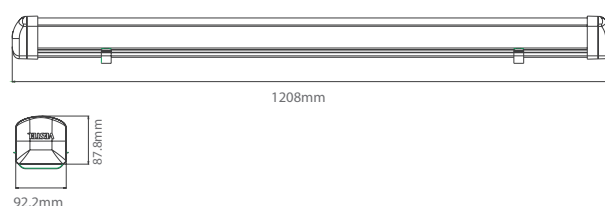
## Optical and Electrical

<b>Power</b>	29W
<b>Lumen output</b>	3250lm
<b>Colour temperature</b>	4000K
<b>CRI</b>	≥80
<b>Efficacy</b>	112lm/W
<b>Beam Angle</b>	100°
<b>Dimming</b>	Optional
<b>Life Time</b>	50000 Hours
<b>IP Rating</b>	IP65
<b>Emergency Kit</b>	Optional

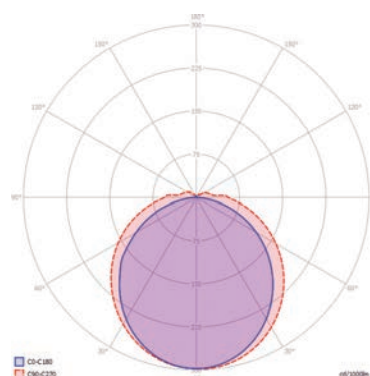
## Mechanical

<b>Operating Temperature</b>	-40°C / +40°C
<b>Dimensions</b>	1208 x 92,2 x 87,8 mm
<b>Product Weight</b>	3,8 kg
<b>Mounting Options</b>	-

## DIMENSIONS (mm)



## LIGHT CURVE

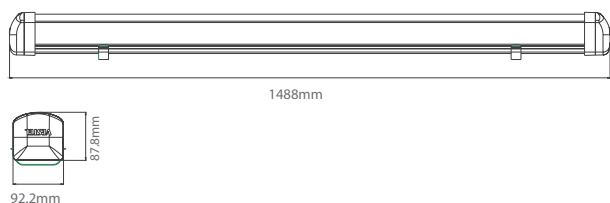


# Weather-Proof Batten

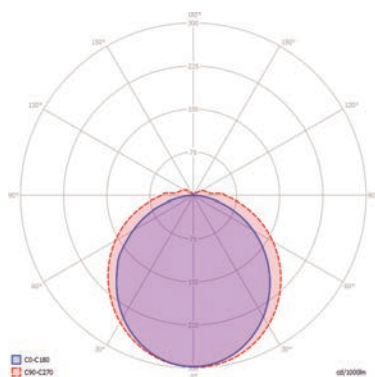
150 cm



## DIMENSIONS (mm)



## LIGHT CURVE



## Optical and Electrical

Power	32W
Lumen output	3850lm
Colour temperature	4000K
CRI	≥80
Efficacy	120lm/W
Beam Angle	100°
Dimming	Optional
Life Time	50000 Hours
IP Rating	IP65
Emergency Kit	Optional

## Mechanical

Operating Temperature	-40°C / +40°C
Dimensions	1488 x 92,2 x 87,8 mm
Product Weight	4,5 kg
Mounting Options	-



# Weather-Proof Batten

## 150 cm



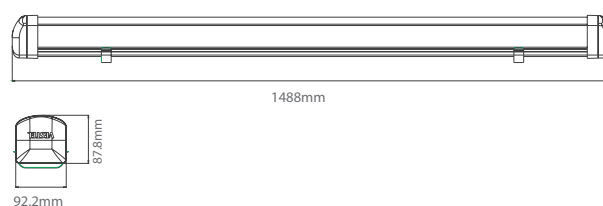
### Optical and Electrical

<b>Power</b>	40W
<b>Lumen output</b>	4750lm
<b>Colour temperature</b>	4000K
<b>CRI</b>	≥80
<b>Efficacy</b>	118lm/W
<b>Beam Angle</b>	100°
<b>Dimming</b>	Optional
<b>Life Time</b>	50000 Hours
<b>IP Rating</b>	IP65
<b>Emergency Kit</b>	Optional

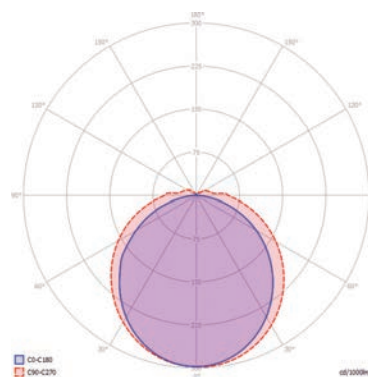
### Mechanical

<b>Operating Temperature</b>	-40°C / +40°C
<b>Dimensions</b>	1488 x 92,2 x 87,8
<b>Product Weight</b>	4,5 kg
<b>Mounting Options</b>	-

### DIMENSIONS (mm)



### LIGHT CURVE

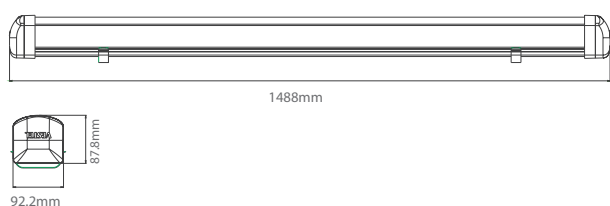


# Weather-Proof Batten

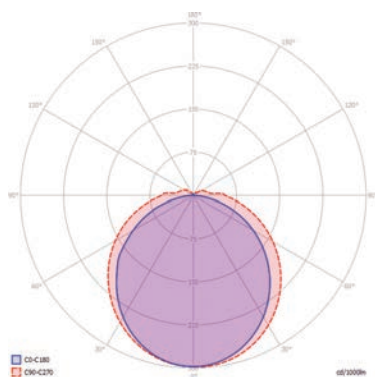
150 cm



## DIMENSIONS (mm)



## LIGHT CURVE



## Optical and Electrical

<b>Power</b>	47W
<b>Lumen output</b>	6300lm
<b>Colour temperature</b>	4000K
<b>CRI</b>	≥80
<b>Efficacy</b>	134lm/W
<b>Beam Angle</b>	100°
<b>Dimming</b>	Optional
<b>Life Time</b>	50000 Hours
<b>IP Rating</b>	IP65
<b>Emergency Kit</b>	Optional

## Mechanical

<b>Operating Temperature</b>	-40°C / +40°C
<b>Dimensions</b>	1488 x 92,2 x 87,8 mm
<b>Product Weight</b>	4,5 kg
<b>Mounting Options</b>	-

# Mid Bay



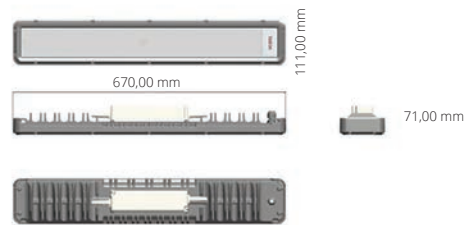
## Optical and Electrical

<b>Power</b>	65W	
<b>Lumen output</b>	8000lm	7400lm
<b>Colour temperature</b>	4000K	
<b>CRI</b>	≥70	≥80
<b>Efficacy</b>	123lm/W	115lm/W
<b>Beam Angle</b>	65° / 78° / 95° / 110° / asym	
<b>Dimming</b>	Optional	
<b>Life Time</b>	60000 Hours	
<b>IP Rating</b>	IP65	
<b>Emergency Kit</b>	-	

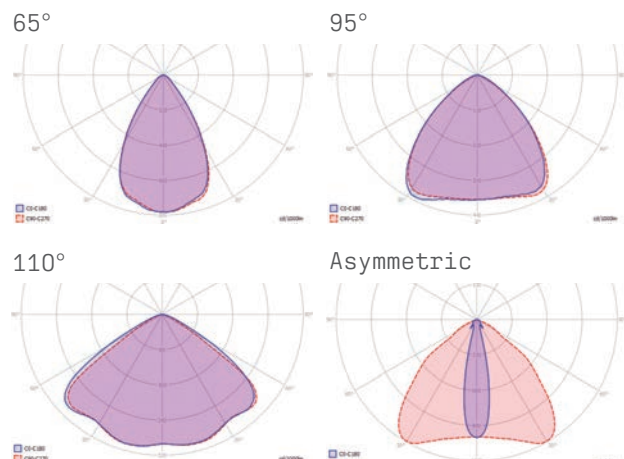
## Mechanical

<b>Operating Temperature</b>	-40°C - +40°C
<b>Dimensions</b>	670x111x71 mm
<b>Product Weight</b>	4,25 kg
<b>Mounting Options</b>	-

## DIMENSIONS (mm)



## LIGHT CURVE

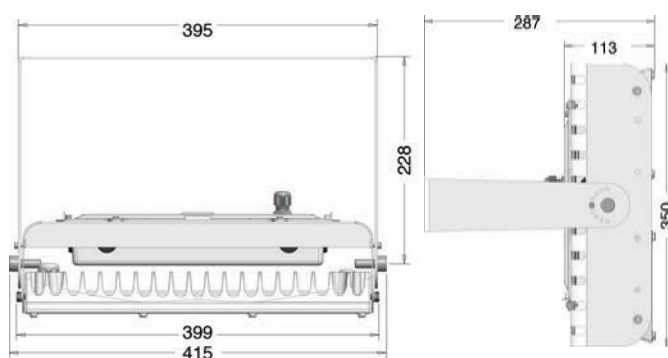




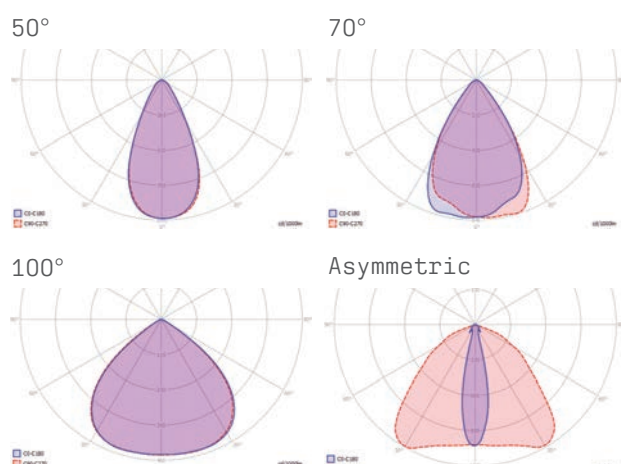
# High Bay V2



## DIMENSIONS (mm)



## LIGHT CURVE



## Optical and Electrical

<b>Power</b>	80W
<b>Lumen output</b>	9600lm
<b>Colour temperature</b>	4000K      6500K
<b>CRI</b>	≥70
<b>Efficacy</b>	120lm/W
<b>Beam Angle</b>	50° / 70° / 100° / asym
<b>Dimming</b>	Optional
<b>Life Time</b>	60000 Hours
<b>IP Rating</b>	IP65
<b>Emergency Kit</b>	-

## Mechanical

<b>Operating Temperature</b>	-40°C - +40°C
<b>Dimensions</b>	415 x 350 x 287 mm
<b>Product Weight</b>	12 kg
<b>Mounting Options</b>	Suspended, U bracket



# High Bay V2



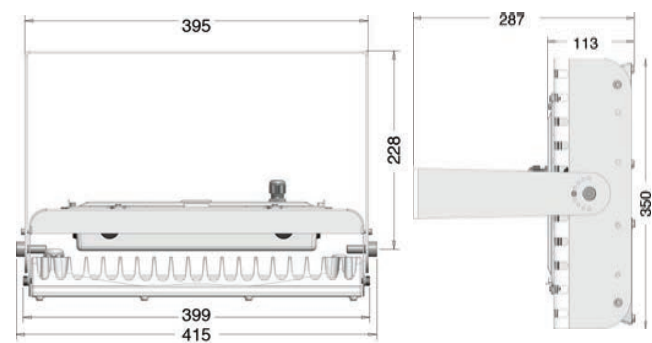
## Optical and Electrical

<b>Power</b>	115W	
<b>Lumen output</b>	13000lm	
<b>Colour temperature</b>	4000K	6500K
<b>CRI</b>	≥70	
<b>Efficacy</b>	113lm/W	
<b>Beam Angle</b>	50° / 70° / 100° / asym	
<b>Dimming</b>	Optional	
<b>Life Time</b>	60000 Hours	
<b>IP Rating</b>	IP65	
<b>Emergency Kit</b>	-	

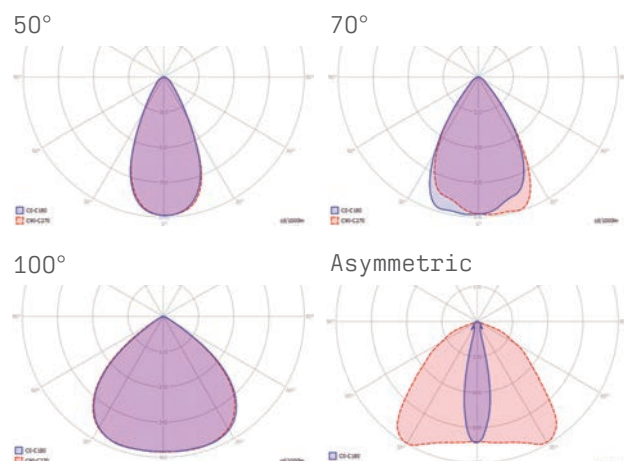
## Mechanical

<b>Operating Temperature</b>	-40°C - +40°C
<b>Dimensions</b>	415 x 350 x 287 mm
<b>Product Weight</b>	12 kg
<b>Mounting Options</b>	Suspended, U bracket

## DIMENSIONS (mm)



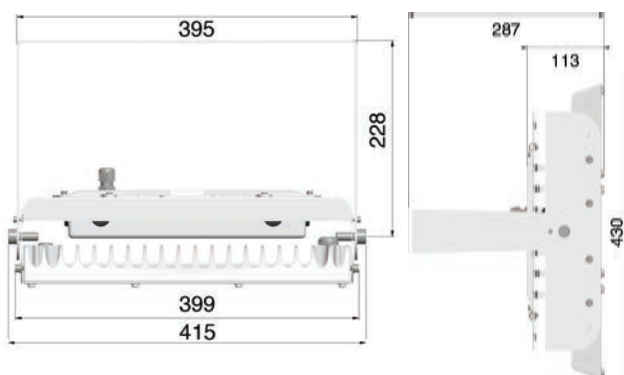
## LIGHT CURVE



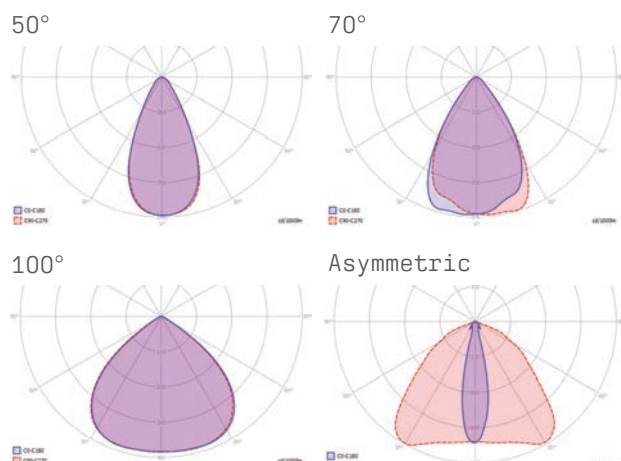
# High Bay V2



## DIMENSIONS (mm)



## LIGHT CURVE



## Optical and Electrical

<b>Power</b>	150W
<b>Lumen output</b>	18400lm
<b>Colour temperature</b>	4000K    6500K
<b>CRI</b>	≥70
<b>Efficacy</b>	115lm/W
<b>Beam Angle</b>	50° / 70° / 100° / asym
<b>Dimming</b>	Optional
<b>Life Time</b>	60000 Hours
<b>IP Rating</b>	IP65
<b>Emergency Kit</b>	-

## Mechanical

<b>Operating Temperature</b>	-40°C - +40°C
<b>Dimensions</b>	415 x 430 x 287 mm
<b>Product Weight</b>	12 kg
<b>Mounting Options</b>	Suspended, U bracket



# High Bay Round



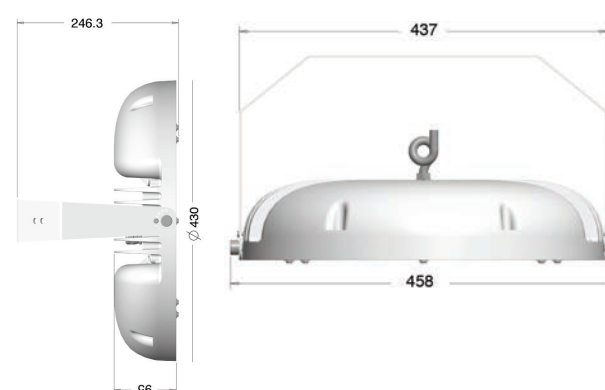
## Optical and Electrical

<b>Power</b>	135W
<b>Lumen output</b>	15500lm
<b>Colour temperature</b>	4000K
<b>CRI</b>	≥80
<b>Efficacy</b>	115lm/W
<b>Beam Angle</b>	55° / 84° / 104°
<b>Dimming</b>	Optional
<b>Life Time</b>	60000 Hours
<b>IP Rating</b>	IP65
<b>Emergency Kit</b>	-

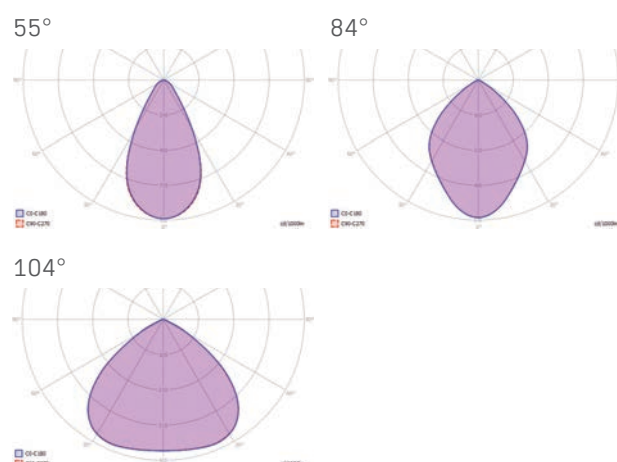
## Mechanical

<b>Operating Temperature</b>	-40°C - +40°C
<b>Dimensions</b>	437 x 437 x 246,3 mm
<b>Mounting Options</b>	Suspended, U bracket

## DIMENSIONS (mm)



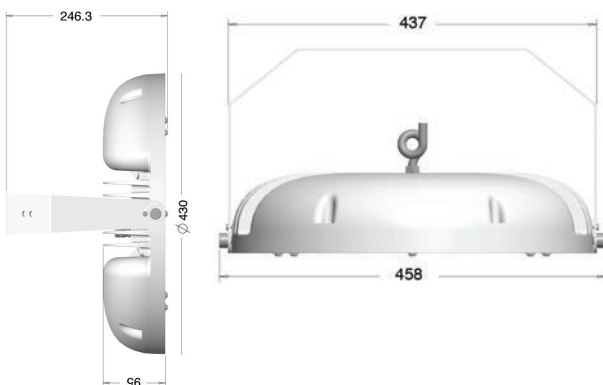
## LIGHT CURVE



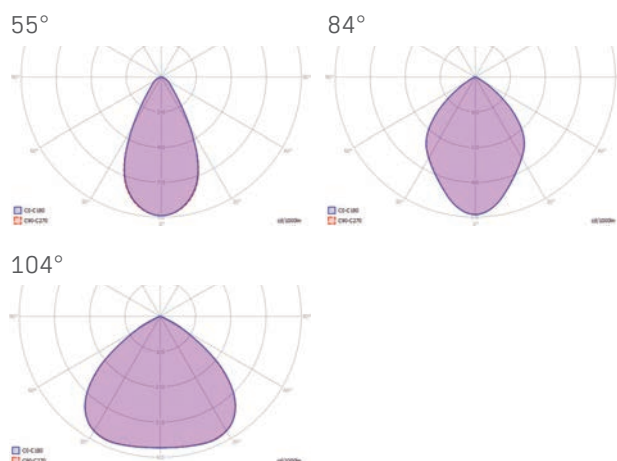
# High Bay Round



## DIMENSIONS (mm)



## LIGHT CURVE



## Optical and Electrical

<b>Power</b>	182W
<b>Lumen output</b>	21000lm
<b>Colour temperature</b>	4000K
<b>CRI</b>	≥80
<b>Efficacy</b>	115lm/W
<b>Beam Angle</b>	60° / 90° / 110°
<b>Dimming</b>	Optional
<b>Life Time</b>	60000 Hours
<b>IP Rating</b>	IP65
<b>Emergency Kit</b>	-

## Mechanical

<b>Operating Temperature</b>	-40°C - +40°C
<b>Dimensions</b>	437 x 437 x 246,3 mm
<b>Mounting Options</b>	Suspended, U bracket



# High Bay Round



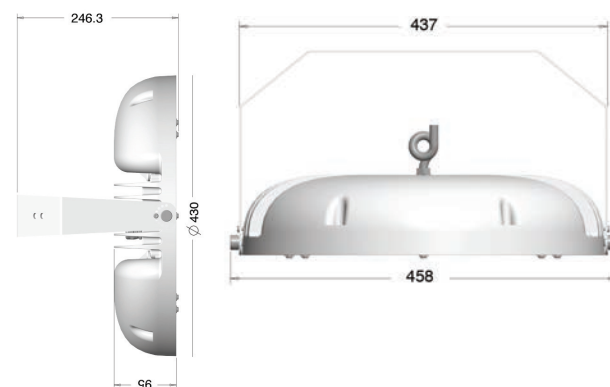
## Optical and Electrical

<b>Power</b>	225W
<b>Lumen output</b>	26000lm
<b>Colour temperature</b>	4000K
<b>CRI</b>	≥80
<b>Efficacy</b>	115lm/W
<b>Beam Angle</b>	55° / 84° / 104°
<b>Dimming</b>	Optional
<b>Life Time</b>	60000 Hours
<b>IP Rating</b>	IP65
<b>Emergency Kit</b>	-

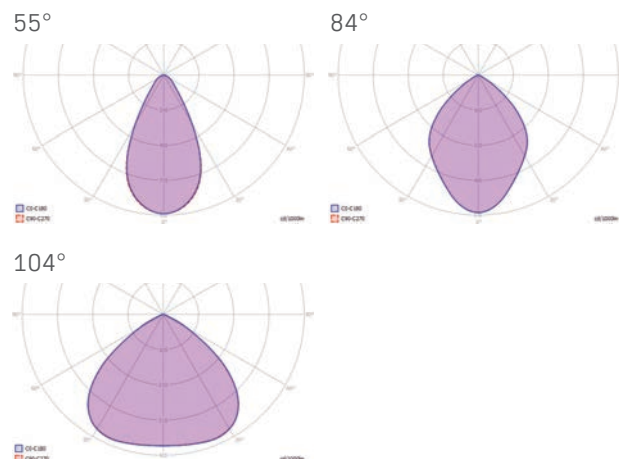
## Mechanical

<b>Operating Temperature</b>	-40°C - +40°C
<b>Dimensions</b>	437 x 437 x 246,3 mm
<b>Mounting Options</b>	Suspended, U bracket

## DIMENSIONS (mm)



## LIGHT CURVE

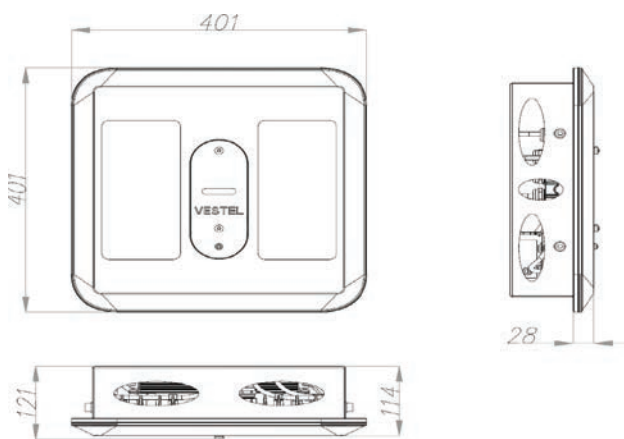




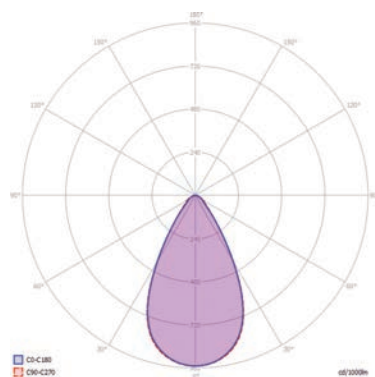
# Canopy



## DIMENSIONS (mm)



## LIGHT CURVE



## Optical and Electrical

<b>Power</b>	108W
<b>Lumen output</b>	13500lm
<b>Colour temperature</b>	4000K    5700K
<b>CRI</b>	≥70
<b>Efficacy</b>	125lm/W
<b>Beam Angle</b>	30° / 50° / 65° / 100° / asym
<b>Dimming</b>	Optional
<b>Life Time</b>	50000 Hours
<b>IP Rating</b>	IP65
<b>Emergency Kit</b>	-

## Mechanical

<b>Operating Temperature</b>	-20°C - +40°C
<b>Dimensions</b>	401x401x121 mm
<b>Product Weight</b>	13 kg
<b>Mounting Options</b>	Recessed, Surface Mounted

# Canopy



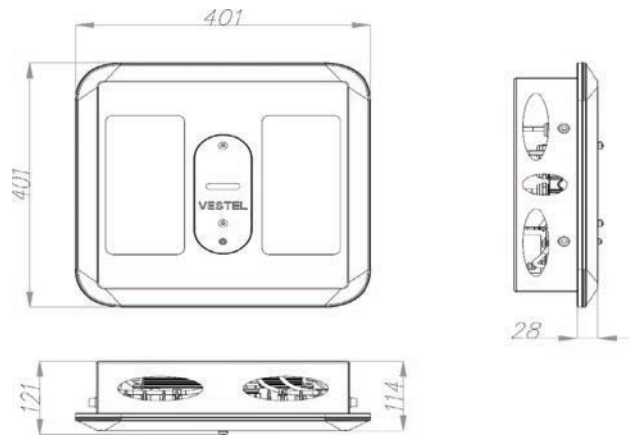
## Optical and Electrical

<b>Power</b>	68W	
<b>Lumen output</b>	8000lm	
<b>Colour temperature</b>	4000K	5700K
<b>CRI</b>	≥70	
<b>Efficacy</b>	117lm/W	
<b>Beam Angle</b>	30° / 50° / 65° / 100° / asym	
<b>Dimming</b>	Optional	
<b>Life Time</b>	50000 Hours	
<b>IP Rating</b>	IP65	
<b>Emergency Kit</b>	-	

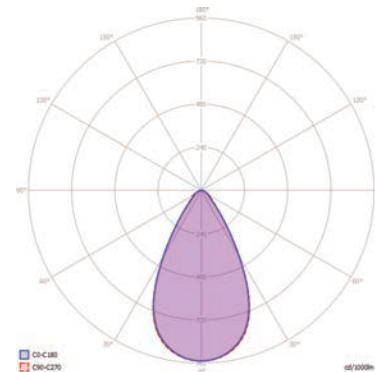
## Mechanical

<b>Operating Temperature</b>	-20°C - +40°C
<b>Dimensions</b>	401x401x121 mm
<b>Product Weight</b>	13 kg
<b>Mounting Options</b>	Recessed, Surface Mounted

## DIMENSIONS (mm)



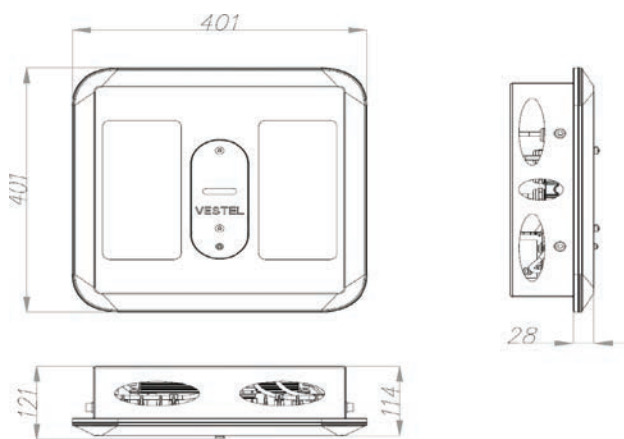
## LIGHT CURVE



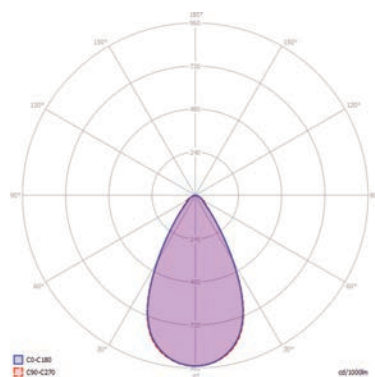
# Canopy



## DIMENSIONS (mm)



## LIGHT CURVE



## Optical and Electrical

<b>Power</b>	35W
<b>Lumen output</b>	4000lm
<b>Colour temperature</b>	4000K    5700K
<b>CRI</b>	≥70
<b>Efficacy</b>	114lm/W
<b>Beam Angle</b>	30° / 50° / 65° / 100° / asym
<b>Dimming</b>	Optional
<b>Life Time</b>	50000 Hours
<b>IP Rating</b>	IP65
<b>Emergency Kit</b>	-

## Mechanical

<b>Operating Temperature</b>	-20°C - +40°C
<b>Dimensions</b>	401x401x121 mm
<b>Product Weight</b>	13 kg
<b>Mounting Options</b>	Recessed, Surface Mounted



# Wall-washer

## RGB - 30 cm



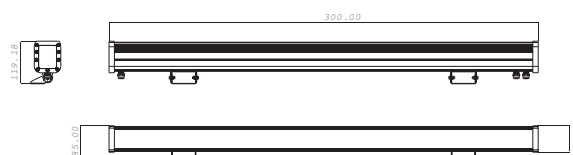
### Optical and Electrical

Power	19W
Lumen output	900lm
Colour temperature	RGB
CRI	-
Efficacy	47lm/W
Beam Angle	20° / 40°
Dimming	DMX
Life Time	50000 Hours
IP Rating	IP66
Emergency Kit	-

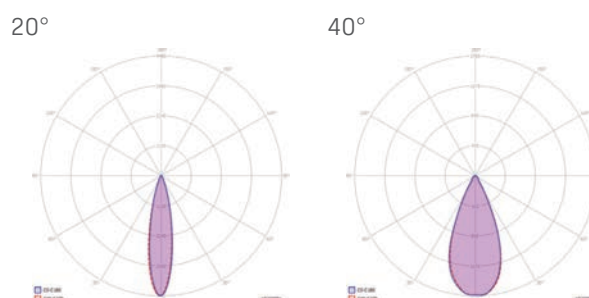
### Mechanical

Operating Temperature	-30°C - +40°C
Dimensions	300 x 74 x 85 mm
Product Weight	1,960 kg
Mounting Options	-

### DIMENSIONS (mm)



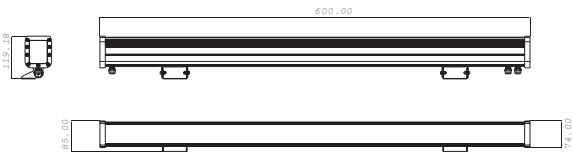
### LIGHT CURVE



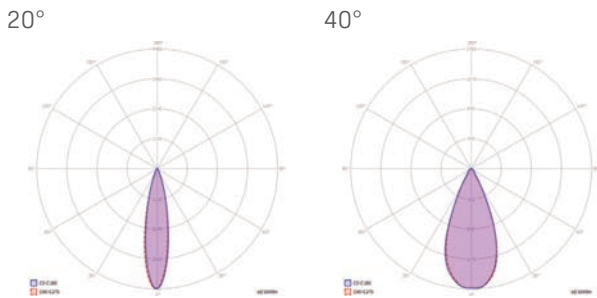
# Wall-washer RGB - 60 cm



## DIMENSIONS (mm)



## LIGHT CURVE



## Optical and Electrical

Power	32W
Lumen output	1800lm
Colour temperature	RGB
CRI	-
Efficacy	56lm/W
Beam Angle	20° / 40°
Dimming	DMX
Life Time	50000 Hours
IP Rating	IP66
Emergency Kit	-

## Mechanical

Operating Temperature	-30°C - +40°C
Dimensions	120,6 x 85,4 x 599 mm
Product Weight	3 kg
Mounting Options	-

# Wall-washer

## RGB - 90 cm



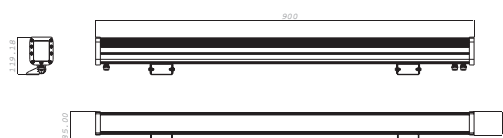
### Optical and Electrical

<b>Power</b>	47W
<b>Lumen output</b>	2750lm
<b>Colour temperature</b>	RGB
<b>CRI</b>	-
<b>Efficacy</b>	58lm/W
<b>Beam Angle</b>	20° / 40°
<b>Dimming</b>	DMX
<b>Life Time</b>	50000 Hours
<b>IP Rating</b>	IP66
<b>Emergency Kit</b>	-

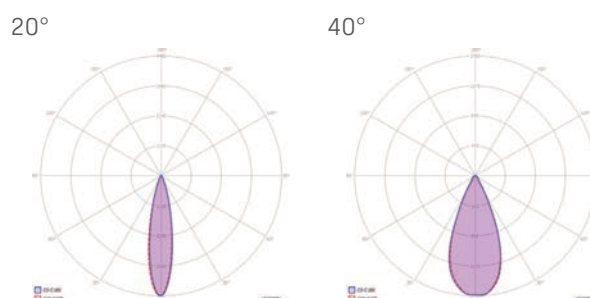
### Mechanical

<b>Operating Temperature</b>	-30°C - +40°C
<b>Dimensions</b>	120,6x85,4x899 mm
<b>Product Weight</b>	3,95 kg
<b>Mounting Options</b>	-

### DIMENSIONS (mm)



### LIGHT CURVE

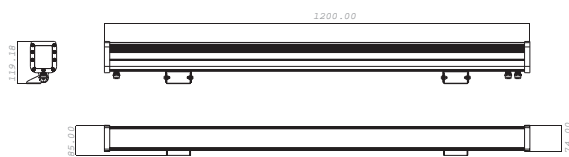




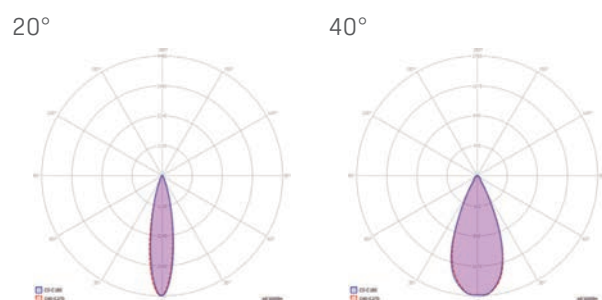
# Wall-washer RGB - 120 cm



## DIMENSIONS (mm)



## LIGHT CURVE



## Optical and Electrical

<b>Power</b>	65W
<b>Lumen output</b>	3700lm
<b>Colour temperature</b>	RGB
<b>CRI</b>	-
<b>Efficacy</b>	62lm/W
<b>Beam Angle</b>	20° / 40°
<b>Dimming</b>	DMX
<b>Life Time</b>	50000 Hours
<b>IP Rating</b>	IP66
<b>Emergency Kit</b>	-

## Mechanical

<b>Operating Temperature</b>	-30°C - +40°C
<b>Dimensions</b>	120,6x85,4x1199 mm
<b>Product Weight</b>	6,32 kg
<b>Mounting Options</b>	-

# Projector



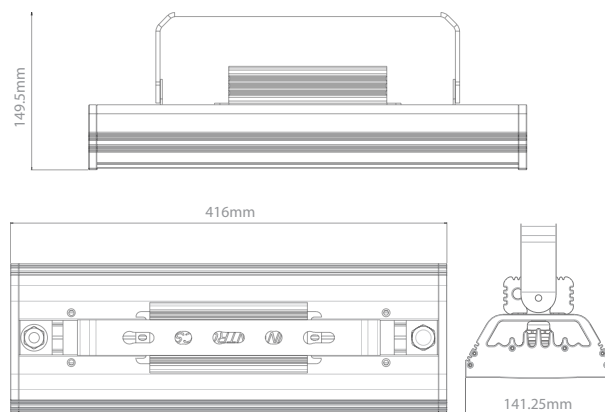
## Optical and Electrical

<b>Power</b>	78W
<b>Lumen output</b>	7300lm
<b>Colour temperature</b>	4000K (RGB optional)
<b>CRI</b>	≥70
<b>Efficacy</b>	94lm/W
<b>Beam Angle</b>	20° / 45°
<b>Dimming</b>	DMX (RGB optional)
<b>Life Time</b>	50000 Hours
<b>IP Rating</b>	IP65
<b>Emergency Kit</b>	-

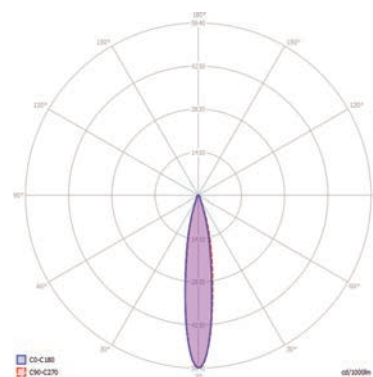
## Mechanical

<b>Operating Temperature</b>	-20°C / +40°C
<b>Dimensions</b>	416 x 141,25 x 149,5 mm
<b>Product Weight</b>	3 kg
<b>Mounting Options</b>	-

## DIMENSIONS (mm)



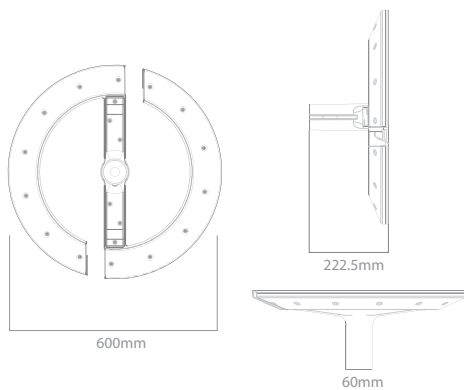
## LIGHT CURVE



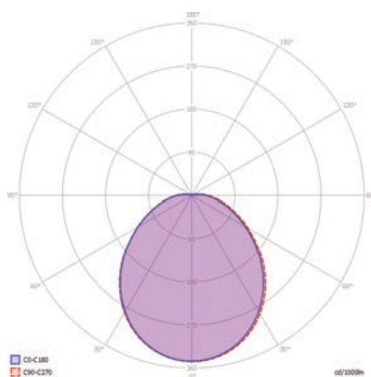
# Garden Pole Light



## DIMENSIONS (mm)



## LIGHT CURVE



## Optical and Electrical

<b>Power</b>	17W
<b>Lumen output</b>	1600 lm
<b>Colour temperature</b>	3000K 4000K 6500K
<b>CRI</b>	≥80
<b>Efficacy</b>	94lm/W
<b>Beam Angle</b>	100°
<b>Dimming</b>	-
<b>Life Time</b>	50000 Hours
<b>IP Rating</b>	IP66
<b>Emergency Kit</b>	-

## Mechanical

<b>Operating Temperature</b>	-20°C /+40°C
<b>Dimensions</b>	600 x 600 x 222,5 mm
<b>Product Weight</b>	8,2 kg
<b>Mounting Options</b>	Pole



# Garden Pole Light



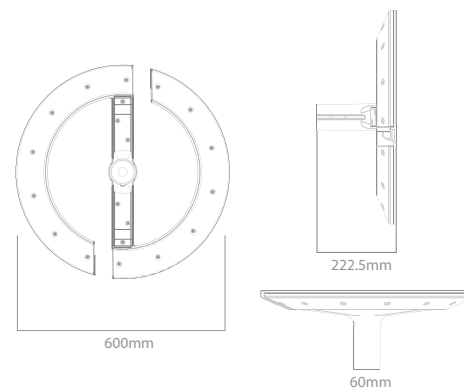
## Optical and Electrical

<b>Power</b>	29W
<b>Lumen output</b>	2600 lm
<b>Colour temperature</b>	3000K 4000K 6500K
<b>CRI</b>	≥80
<b>Efficacy</b>	90lm/W
<b>Beam Angle</b>	100°
<b>Dimming</b>	-
<b>Life Time</b>	50000 Hours
<b>IP Rating</b>	IP66
<b>Emergency Kit</b>	-

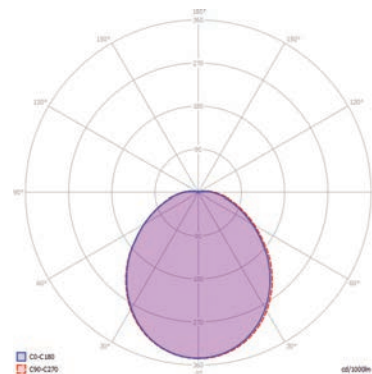
## Mechanical

<b>Operating Temperature</b>	-20°C /+40°C
<b>Dimensions</b>	600 x 600 x 222,5 mm
<b>Product Weight</b>	8,2 kg
<b>Mounting Options</b>	Pole

## DIMENSIONS (mm)



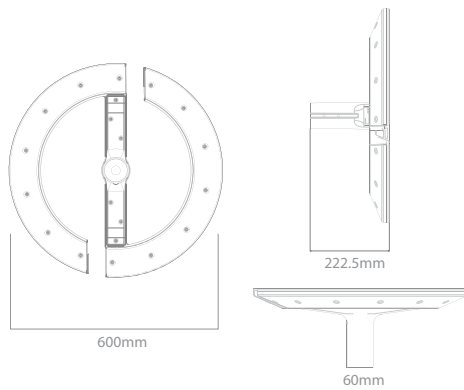
## LIGHT CURVE



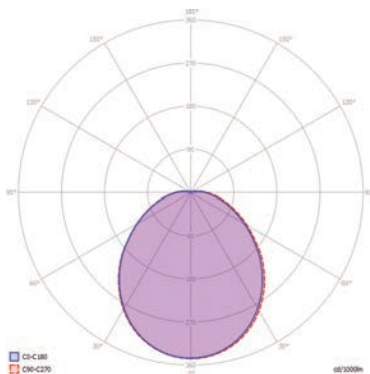
# Garden Pole Light



## DIMENSIONS (mm)



## LIGHT CURVE



## Optical and Electrical

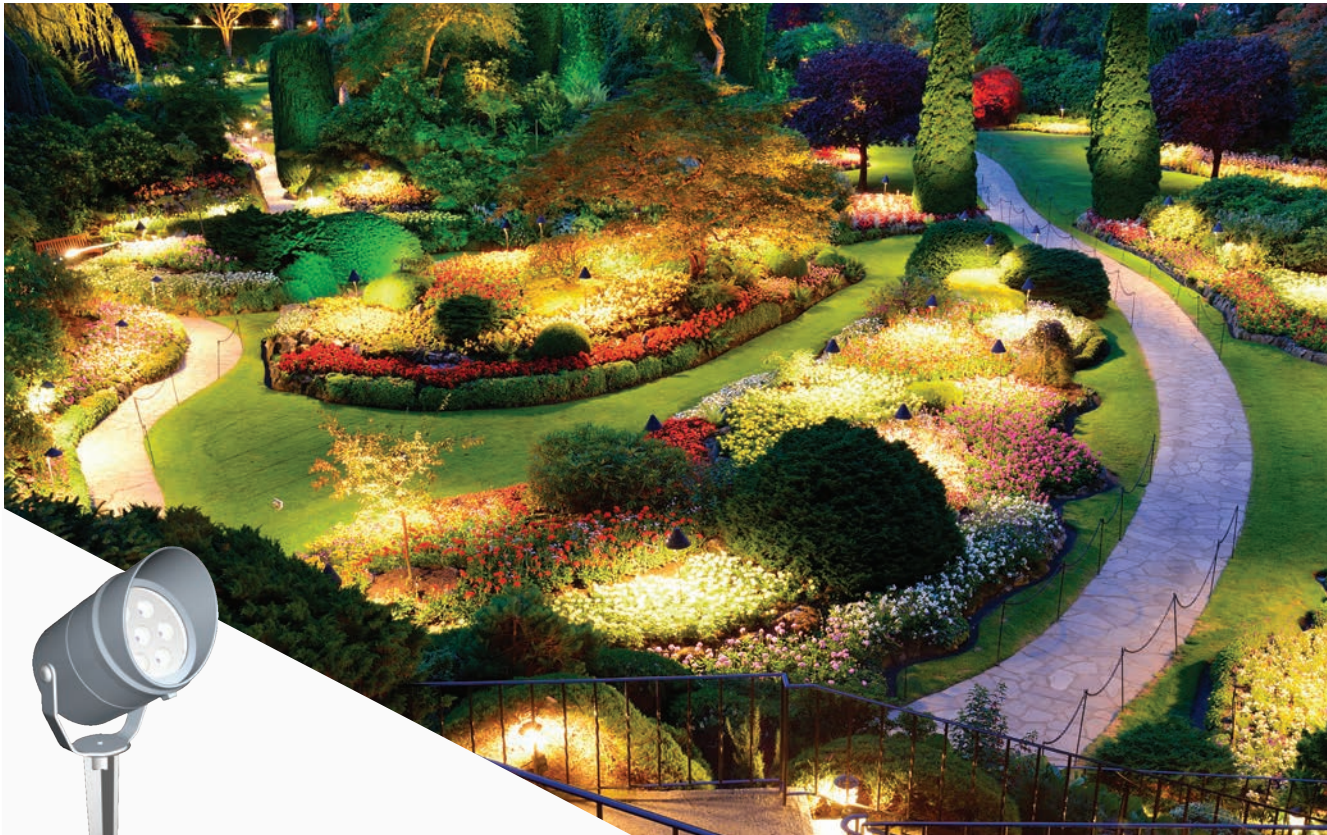
<b>Power</b>	41W
<b>Lumen output</b>	3600 lm
<b>Colour temperature</b>	3000K 4000K 6500K
<b>CRI</b>	≥80
<b>Efficacy</b>	88lm/W
<b>Beam Angle</b>	100°
<b>Dimming</b>	-
<b>Life Time</b>	50000 Hours
<b>IP Rating</b>	IP66
<b>Emergency Kit</b>	-

## Mechanical

<b>Operating Temperature</b>	-20°C / +40°C
<b>Dimensions</b>	600 x 600 x 222,5 mm
<b>Product Weight</b>	8,2 kg
<b>Mounting Options</b>	Pole



# Garden Spot



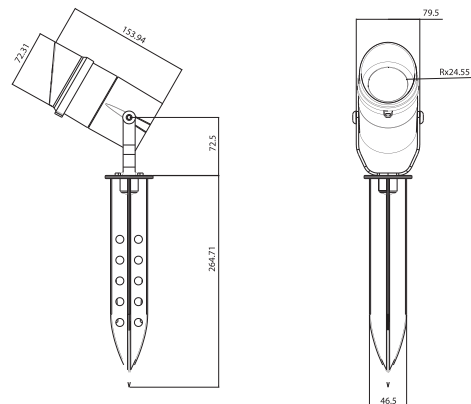
## Optical and Electrical

<b>Power</b>	2,5W		
<b>Lumen output</b>	250lm		
<b>Colour temperature</b>	3000K	4000K	6500K
<b>CRI</b>	≥70		
<b>Efficacy</b>	80lm/W		
<b>Beam Angle</b>	10° / 25° / 40°		
<b>Dimming</b>	-		
<b>Life Time</b>	50000 Hours		
<b>IP Rating</b>	IP66		
<b>Emergency Kit</b>	-		

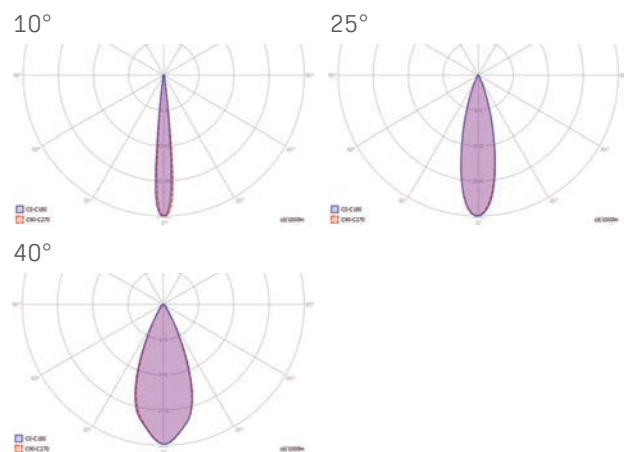
## Mechanical

<b>Operating Temperature</b>	-20°C / +40°C
<b>Dimensions</b>	81 x 85,3 x 180 mm
<b>Product Weight</b>	0,9 kg
<b>Mounting Options</b>	-

## DIMENSIONS (mm)



## LIGHT CURVE

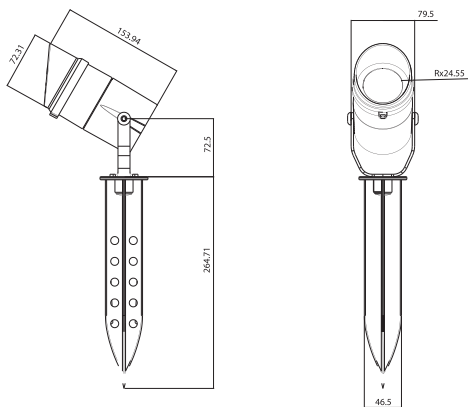




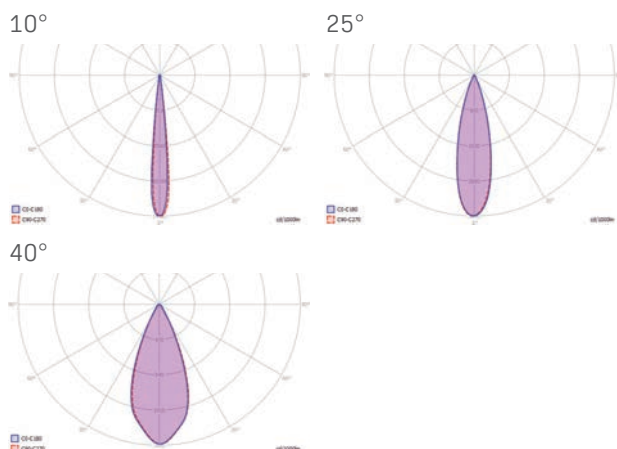
# Garden Spot



## DIMENSIONS (mm)



## LIGHT CURVE



## Optical and Electrical

<b>Power</b>	5W		
<b>Lumen output</b>	400lm		
<b>Colour temperature</b>	3000K	4000K	6500K
<b>CRI</b>	≥70		
<b>Efficacy</b>	80lm/W		
<b>Beam Angle</b>	10° / 25° / 40°		
<b>Dimming</b>	-		
<b>Life Time</b>	50000 Hours		
<b>IP Rating</b>	IP66		
<b>Emergency Kit</b>	-		

## Mechanical

<b>Operating Temperature</b>	-20°C / +40°C
<b>Dimensions</b>	81 x 85,3 x 180 mm
<b>Product Weight</b>	0,9 kg
<b>Mounting Options</b>	-

# Garden Spot



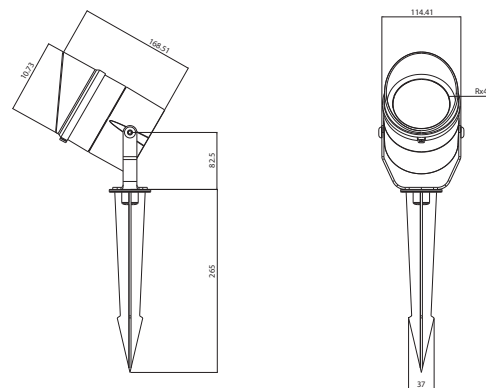
## Optical and Electrical

<b>Power</b>	15W		
<b>Lumen output</b>	1300lm		
<b>Colour temperature</b>	3000K	4000K	6500K
<b>CRI</b>	≥70		
<b>Efficacy</b>	85lm/W		
<b>Beam Angle</b>	10° / 25° / 40°		
<b>Dimming</b>	-		
<b>Life Time</b>	50000 Hours		
<b>IP Rating</b>	IP66		
<b>Emergency Kit</b>	-		

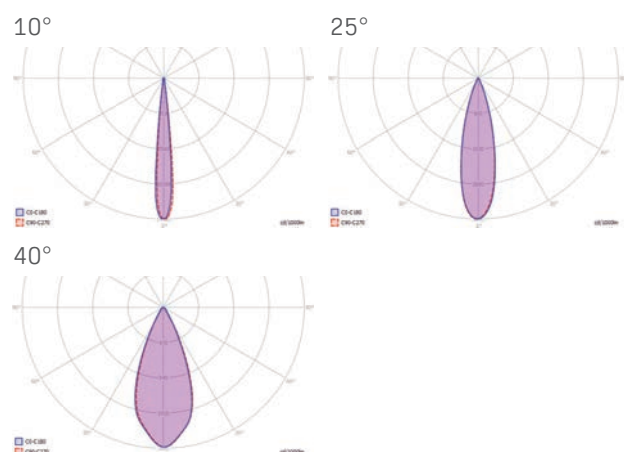
## Mechanical

<b>Operating Temperature</b>	-20°C / +40°C
<b>Dimensions</b>	116.1x123.3x426 mm
<b>Product Weight</b>	1,46 kg
<b>Mounting Options</b>	-

## DIMENSIONS (mm)



## LIGHT CURVE

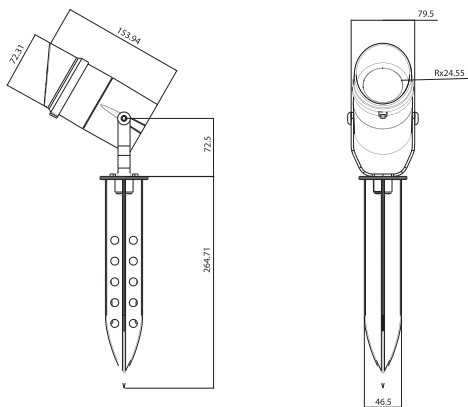




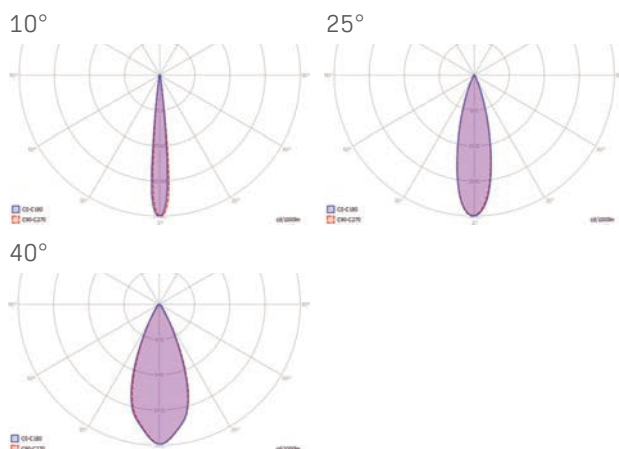
# Garden Spot



## DIMENSIONS (mm)



## LIGHT CURVE



## Optical and Electrical

<b>Power</b>	11W	5W
<b>Lumen output</b>	650lm	300lm
<b>Colour temperature</b>	Amber	
<b>CRI</b>	≥70	
<b>Efficacy</b>	54lm/W	60lm/W
<b>Beam Angle</b>	10° / 25° / 40°	
<b>Dimming</b>	-	
<b>Life Time</b>	50000 Hours	
<b>IP Rating</b>	IP66	
<b>Emergency Kit</b>	-	

## Mechanical

<b>Operating Temperature</b>	-20°C / +40°C	
<b>Dimensions</b>	116,1 x 123,3 x 426 mm 81 x 85,3 x 180 mm	
<b>Product Weight</b>	1,46 kg	0,9 kg
<b>Mounting Options</b>	-	



# Bollard



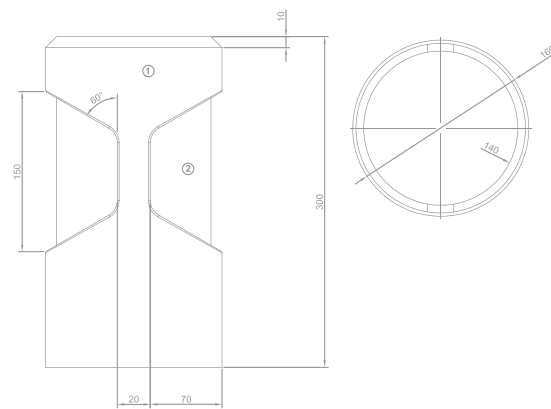
## Optical and Electrical

<b>Power</b>	7,5W	
<b>Lumen output</b>	350lm	400lm
<b>Colour temperature</b>	3000K	4000K
<b>CRI</b>	≥70	
<b>Efficacy</b>	46lm/W	53lm/W
<b>Beam Angle</b>	Asymmetric	
<b>Dimming</b>	-	
<b>Life Time</b>	50000Hours	
<b>IP Rating</b>	IP65	
<b>Emergency Kit</b>	-	

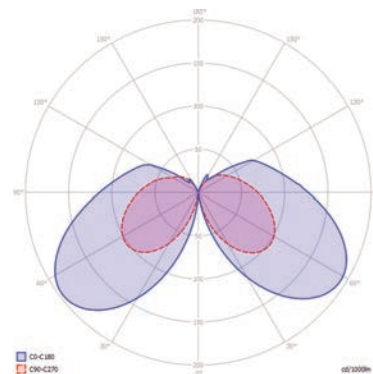
## Mechanical

<b>Operating Temperature</b>	-20°C /+40°C
<b>Dimensions</b>	160 x 160 x 1002 mm
<b>Product Weight</b>	6,5 kg
<b>Mounting Options</b>	-

## DIMENSIONS (mm)



## LIGHT CURVE



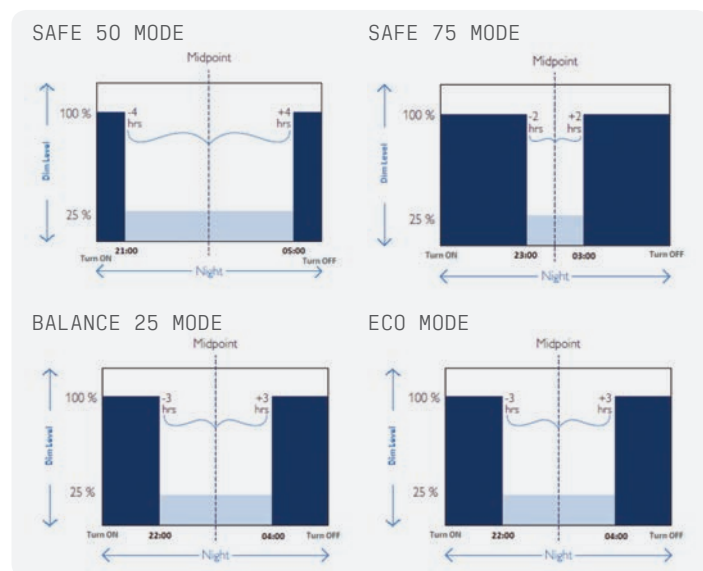
# Street Lights Smart Lighting

## 1. AUTODIMMER

AutoDimmer is an external, stand alone dimming control device developed by Vestel that enables a simple, automatic dimming. AutoDimmer reduces the power consumption of outdoor LED luminaires in a variety of preset or custom scenarios. This stand-alone solution allows owners to operate a greener business, and ultimately save energy and costs while creating an inviting nighttime environment.

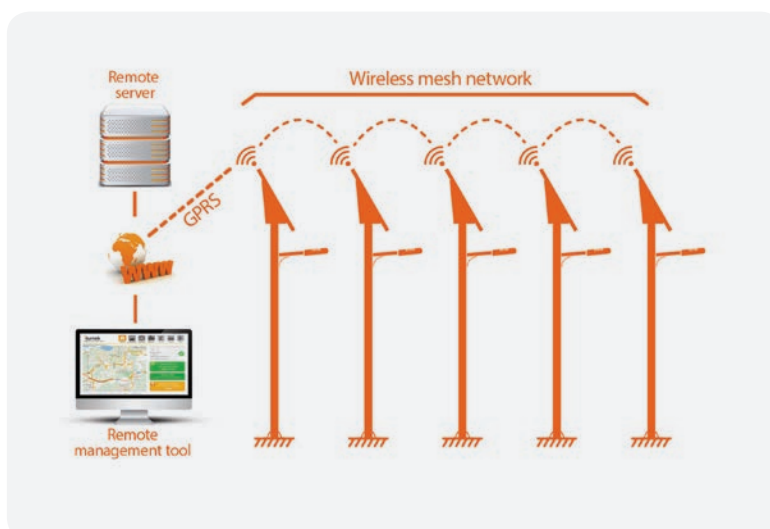


The self-updating Vestel's embedded firmware determines the night real time without an internal real time clock. This means no battery inside, therefore no field maintenance. Just turning the lighting fixture ON/OFF, the custom light profile shape will be self synchronized to the real time zone, without any clock setting in the installation area. Our pre-programmed dimming profiles automatically take into account seasonal changes based on geographical locations by continuously monitoring the working day's midpoint. All profiles can be adjusted in the field for additional adaptability.



## 2. WIRELESS (WI-FI) SYSTEMS

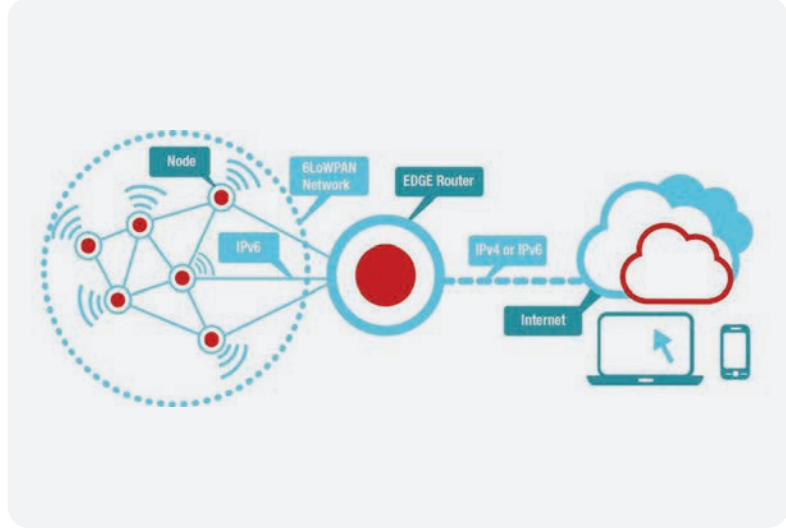
With the help of wireless mesh network topology, you can control and maintain streetlights in far distances. By using sub 1Ghz low frequency band, you can achieve longer distances



# Street Lights Smart Lighting

## VESTEL WI-FI MODULES

Vestel Smart Street Lights are using IP based mesh network for easy control and maintain. By 6-LoWPAN technology, you can achieve up to 10km by transferring data in 250kbit/s bandwidth

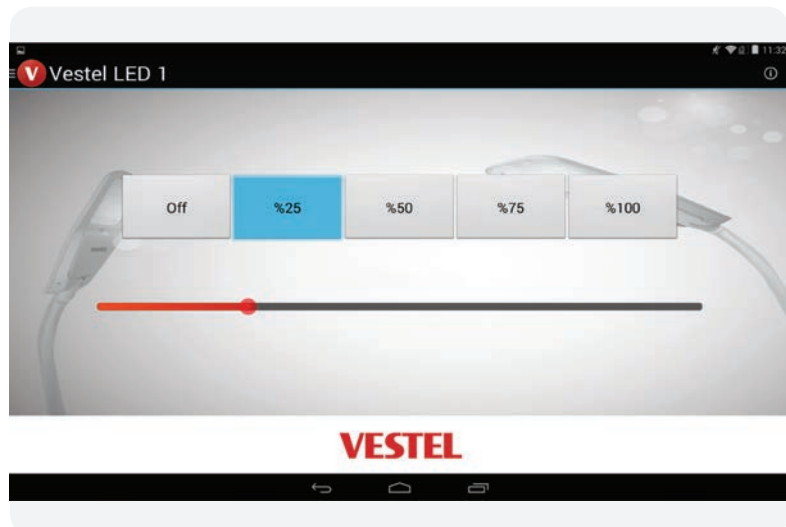


## 3. VESTEL SMART STREET SOFTWARE

Vestel provides easy to use software solution based on mapping system to control and maintain street lights. Control panel allows you to manage, get reports and get logs of the street lights for maintenance. You can significantly reduce your labor cost with Vestel Smart Street Software

## REMOTE DIMMING

With the help of Vestel Smart Street Software, you can dim street lights remotely to increase energy saving and reduce ROI.



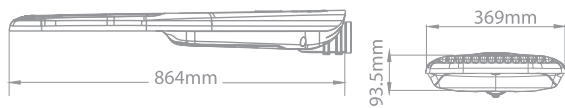


# Street Light

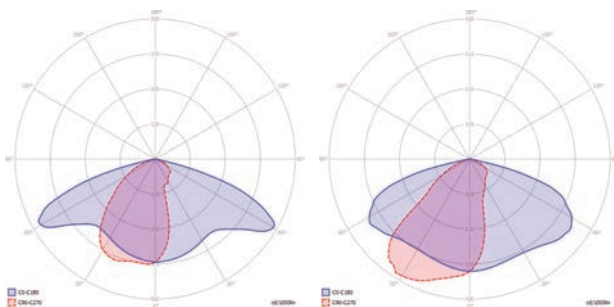
## Ephesus- M2S-165



### DIMENSIONS (mm)



### LIGHT CURVE



### Optical and Electrical

Power	165 W
Lumen output	19000lm
Colour temperature	4000 K
CRI	≥70
Efficacy	115lm/W
Beam Angle	Asymmetric
Dimming	Optional
Life Time	50000 Hours
IP Rating	IP66
Emergency Kit	-

### Mechanical

Operating Temperature	-40°C /+50°C
Dimensions	864 x 369 x 93,5 mm
Product Weight	11 kg
Mounting Options	Post-top , Side

# Street Light

## Ephesus- M2S-147



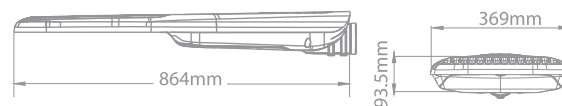
### Optical and Electrical

<b>Power</b>	147 W
<b>Lumen output</b>	17000lm
<b>Colour temperature</b>	4000 K
<b>CRI</b>	≥70
<b>Efficacy</b>	115lm/W
<b>Beam Angle</b>	Asymmetric
<b>Dimming</b>	Optional
<b>Life Time</b>	50000 Hours
<b>IP Rating</b>	IP66
<b>Emergency Kit</b>	-

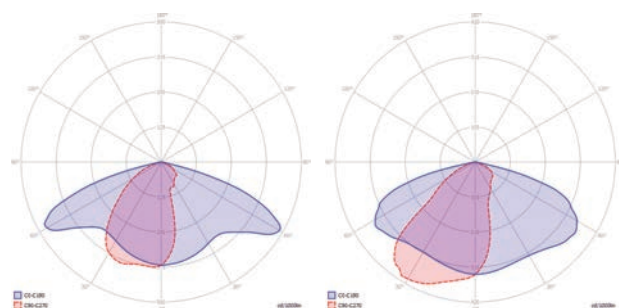
### Mechanical

<b>Operating Temperature</b>	-40°C / +50°C
<b>Dimensions</b>	864 x 369 x 93,5 mm
<b>Product Weight</b>	11 kg
<b>Mounting Options</b>	Post-top , Side

### DIMENSIONS (mm)



### LIGHT CURVE

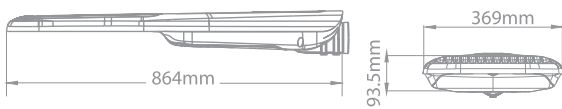


# Street Light

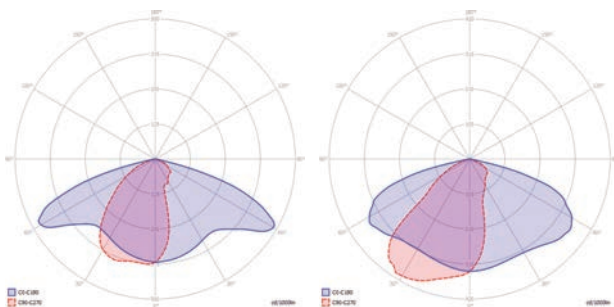
## Ephesus- M2S-128



### DIMENSIONS (mm)



### LIGHT CURVE



### Optical and Electrical

<b>Power</b>	128 W
<b>Lumen output</b>	14800lm
<b>Colour temperature</b>	4000 K
<b>CRI</b>	≥70
<b>Efficacy</b>	115lm/W
<b>Beam Angle</b>	Asymmetric
<b>Dimming</b>	Optional
<b>Life Time</b>	50000 Hours
<b>IP Rating</b>	IP66
<b>Emergency Kit</b>	-

### Mechanical

<b>Operating Temperature</b>	-40°C /+50°C
<b>Dimensions</b>	864 x 369 x 93,5 mm
<b>Product Weight</b>	11 kg
<b>Mounting Options</b>	Post-top , Side



# Street Light

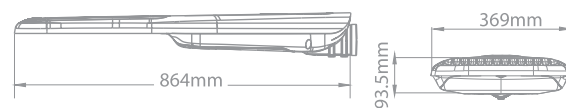
## Ephesus- M3S-108



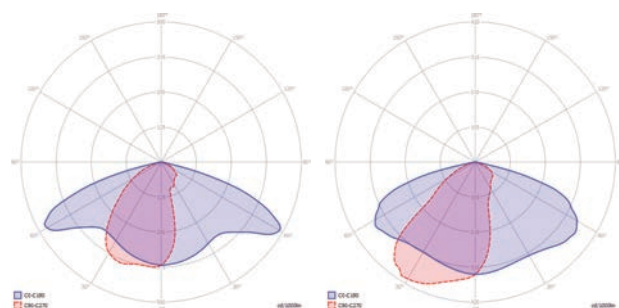
Optical and Electrical	
Power	108 W
Lumen output	12500lm
Colour temperature	4000 K
CRI	≥70
Efficacy	115lm/W
Beam Angle	Asymmetric
Dimming	Optional
Life Time	50000 Hours
IP Rating	IP66
Emergency Kit	-

Mechanical	
Operating Temperature	-40°C / +50°C
Dimensions	864 x 369 x 93,5 mm
Product Weight	11 kg
Mounting Options	Post-top , Side

### DIMENSIONS (mm)



### LIGHT CURVE

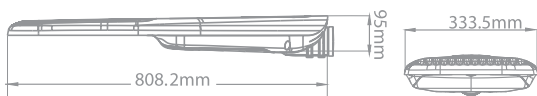


# Street Light

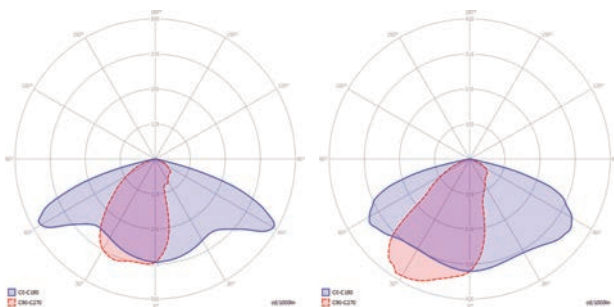
## Ephesus- M3S-90



### DIMENSIONS (mm)



### LIGHT CURVE



### Optical and Electrical

Power	90 W
Lumen output	11400lm
Colour temperature	4000 K
CRI	≥70
Efficacy	115lm/W
Beam Angle	Asymmetric
Dimming	Optional
Life Time	50000 Hours
IP Rating	IP66
Emergency Kit	-

### Mechanical

Operating Temperature	-40°C /+50°C
Dimensions	808,2 x 333,5 x 95 mm
Product Weight	10,3 kg
Mounting Options	Post-top , Side

# Street Light

## Ephesus- M4S-68



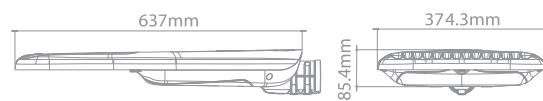
### Optical and Electrical

<b>Power</b>	68 W
<b>Lumen output</b>	7800lm
<b>Colour temperature</b>	4000 K
<b>CRI</b>	≥70
<b>Efficacy</b>	115lm/W
<b>Beam Angle</b>	Asymmetric
<b>Dimming</b>	Optional
<b>Life Time</b>	50000 Hours
<b>IP Rating</b>	IP66
<b>Emergency Kit</b>	-

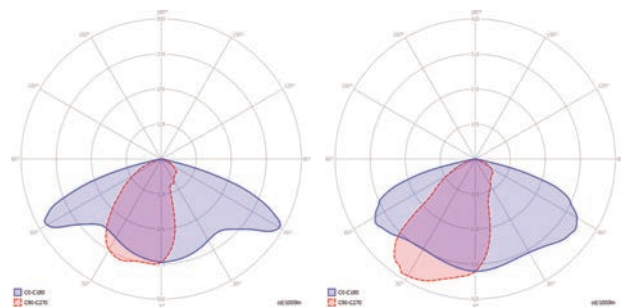
### Mechanical

<b>Operating Temperature</b>	-40°C / +50°C
<b>Dimensions</b>	637 x 374,3 x 85,4 mm
<b>Product Weight</b>	9,5 kg
<b>Mounting Options</b>	Post-top , Side

### DIMENSIONS (mm)



### LIGHT CURVE



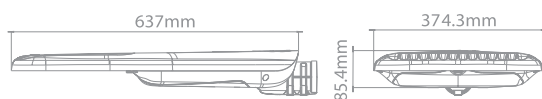


# Street Light

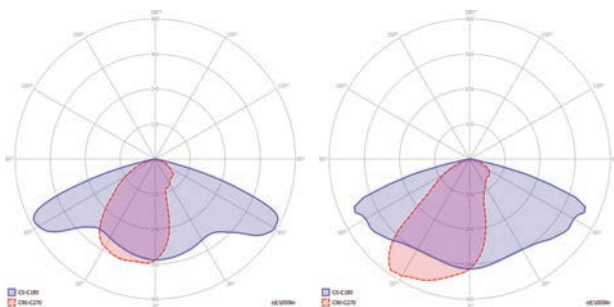
## Ephesus- M4H-48



### DIMENSIONS (mm)



### LIGHT CURVE



### Optical and Electrical

<b>Power</b>	48 W
<b>Lumen output</b>	7000lm
<b>Colour temperature</b>	4000 K
<b>CRI</b>	≥70
<b>Efficacy</b>	145lm/W
<b>Beam Angle</b>	Asymmetric
<b>Dimming</b>	Optional
<b>Life Time</b>	50000 Hours
<b>IP Rating</b>	IP66
<b>Emergency Kit</b>	-

### Mechanical

<b>Operating Temperature</b>	-40°C /+50°C
<b>Dimensions</b>	637 x 374,3 x 85,4 mm
<b>Product Weight</b>	9,5 kg
<b>Mounting Options</b>	Post-top , Side

# Street Light

## Ephesus- M5S-47



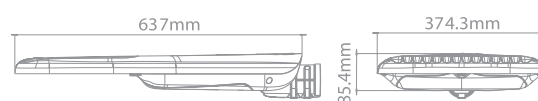
### Optical and Electrical

<b>Power</b>	47 W
<b>Lumen output</b>	5400lm
<b>Colour temperature</b>	4000 K
<b>CRI</b>	≥70
<b>Efficacy</b>	115lm/W
<b>Beam Angle</b>	Asymmetric
<b>Dimming</b>	Optional
<b>Life Time</b>	50000 Hours
<b>IP Rating</b>	IP66
<b>Emergency Kit</b>	-

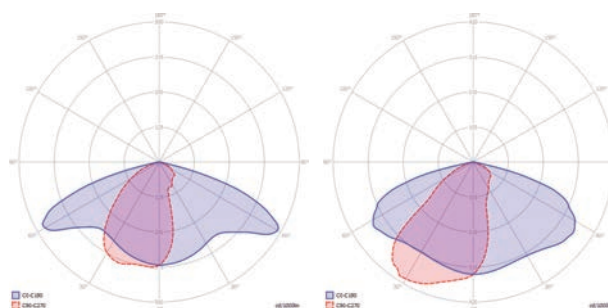
### Mechanical

<b>Operating Temperature</b>	-40°C / +50°C
<b>Dimensions</b>	637 x 374,3 x 85,4 mm
<b>Product Weight</b>	9,5 kg
<b>Mounting Options</b>	Post-top , Side

### DIMENSIONS (mm)



### LIGHT CURVE

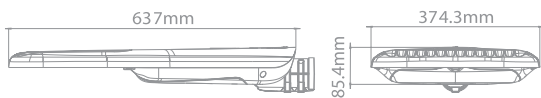


# Street Light

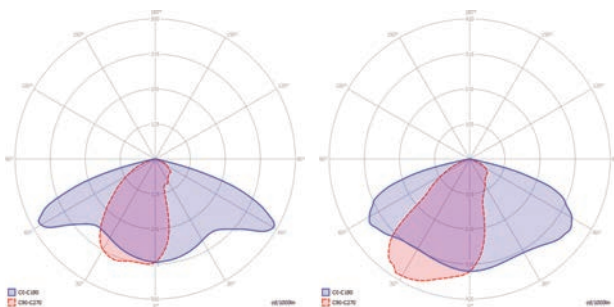
## Ephesus- M5S-35



### DIMENSIONS (mm)



### LIGHT CURVE



### Optical and Electrical

<b>Power</b>	35 W
<b>Lumen output</b>	3280lm
<b>Colour temperature</b>	4000 K
<b>CRI</b>	≥70
<b>Efficacy</b>	115lm/W
<b>Beam Angle</b>	Asymmetric
<b>Dimming</b>	Optional
<b>Life Time</b>	50000 Hours
<b>IP Rating</b>	IP66
<b>Emergency Kit</b>	-

### Mechanical

<b>Operating Temperature</b>	-40°C /+50°C
<b>Dimensions</b>	637 x 374,3 x 85,4 mm
<b>Product Weight</b>	9,5 kg
<b>Mounting Options</b>	Post-top , Side



# Street Light

## Ephesus- M6S-24



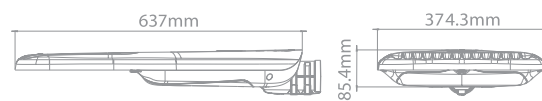
### Optical and Electrical

<b>Power</b>	24 W
<b>Lumen output</b>	2800lm
<b>Colour temperature</b>	4000 K
<b>CRI</b>	≥70
<b>Efficacy</b>	115lm/W
<b>Beam Angle</b>	Asymmetric
<b>Dimming</b>	Optional
<b>Life Time</b>	50000 Hours
<b>IP Rating</b>	IP66
<b>Emergency Kit</b>	-

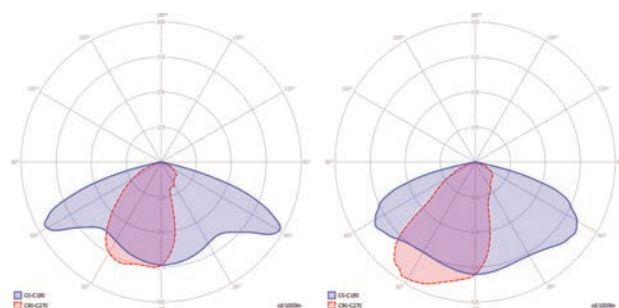
### Mechanical

<b>Operating Temperature</b>	-40°C / +50°C
<b>Dimensions</b>	637 x 374,3 x 85,4 mm
<b>Product Weight</b>	9,5 kg
<b>Mounting Options</b>	Post-top , Side

### DIMENSIONS (mm)



### LIGHT CURVE

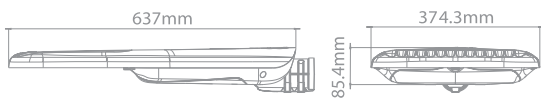


# Street Light

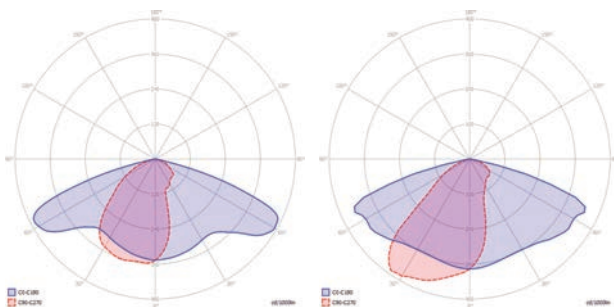
## Ephesus- M6H-13



### DIMENSIONS (mm)



### LIGHT CURVE



### Optical and Electrical

<b>Power</b>	13 W
<b>Lumen output</b>	1900lm
<b>Colour temperature</b>	4000 K
<b>CRI</b>	≥70
<b>Efficacy</b>	145lm/W
<b>Beam Angle</b>	Asymmetric
<b>Dimming</b>	Optional
<b>Life Time</b>	50000 Hours
<b>IP Rating</b>	IP66
<b>Emergency Kit</b>	-

### Mechanical

<b>Operating Temperature</b>	-40°C /+50°C
<b>Dimensions</b>	637 x 374,3 x 85,4 mm
<b>Product Weight</b>	9,5 kg
<b>Mounting Options</b>	Post-top , Side



# Street Light

## Sardes S2 - 182



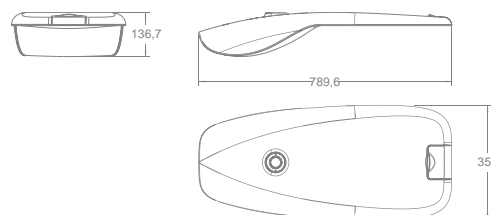
### Optical and Electrical

<b>Power</b>	182W
<b>Lumen output</b>	21000lm
<b>Colour temperature</b>	4000K
<b>CRI</b>	≥70
<b>Efficacy</b>	115lm/W
<b>Beam Angle</b>	Asymmetric
<b>Dimming</b>	Optional
<b>Life Time</b>	100,000 Hours
<b>IP Rating</b>	IP66/IK08
<b>Emergency Kit</b>	-

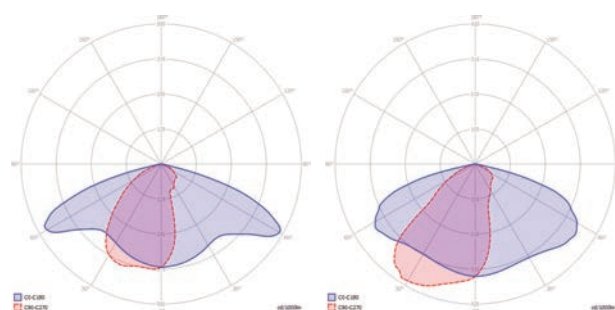
### Mechanical

<b>Operating Temperature</b>	-40°C / +50°C
<b>Dimensions</b>	789,6 x 357 x 136,7 mm
<b>Product Weight</b>	10,3 kg
<b>Mounting Options</b>	Post-top , Side

### DIMENSIONS (mm)



### LIGHT CURVE



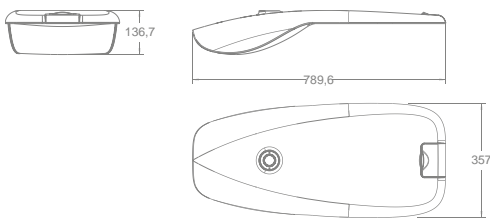


# Street Light

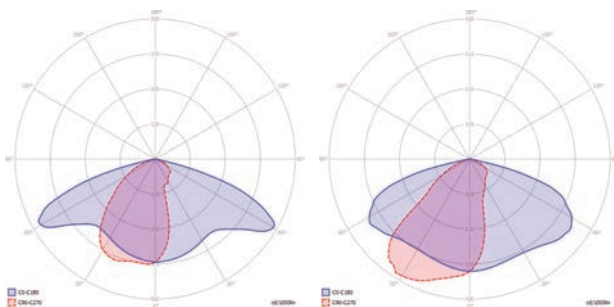
## Sardes S2 - 165



### DIMENSIONS (mm)



### LIGHT CURVE



### Optical and Electrical

<b>Power</b>	165W
<b>Lumen output</b>	19000lm
<b>Colour temperature</b>	4000K
<b>CRI</b>	≥70
<b>Efficacy</b>	115 lm/W
<b>Beam Angle</b>	Asymmetric
<b>Dimming</b>	Optional
<b>Life Time</b>	100,000 Hours
<b>IP Rating</b>	IP66/IK08
<b>Emergency Kit</b>	-

### Mechanical

<b>Operating Temperature</b>	-40°C /+50°C
<b>Dimensions</b>	789,6 x 357 x 136,7 mm
<b>Product Weight</b>	10,3 kg
<b>Mounting Options</b>	Post-top , Side

# Street Light

## Sardes S2 - 140



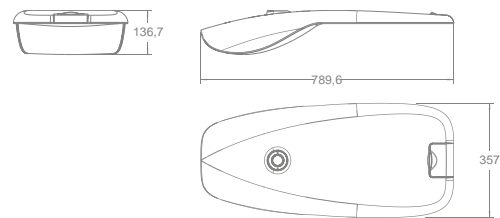
### Optical and Electrical

<b>Power</b>	140W
<b>Lumen output</b>	16000lm
<b>Colour temperature</b>	4000K
<b>CRI</b>	≥70
<b>Efficacy</b>	115 lm/W
<b>Beam Angle</b>	Asymmetric
<b>Dimming</b>	Optional
<b>Life Time</b>	100,000 Hours
<b>IP Rating</b>	IP66/IK08
<b>Emergency Kit</b>	-

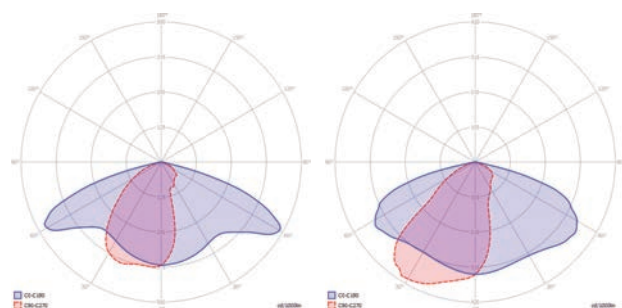
### Mechanical

<b>Operating Temperature</b>	-40°C / +50°C
<b>Dimensions</b>	789,6 x 357 x 136,7 mm
<b>Product Weight</b>	10,3 kg
<b>Mounting Options</b>	Post-top , Side

### DIMENSIONS (mm)



### LIGHT CURVE



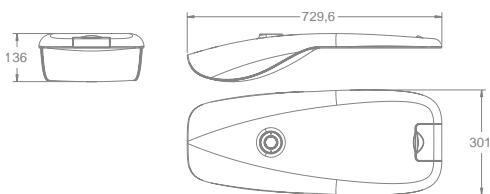


# Street Light

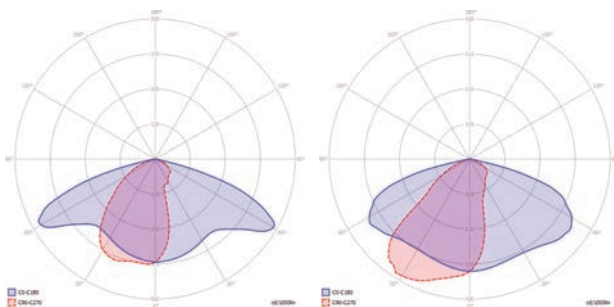
## Sardes S3 - 121



### DIMENSIONS (mm)



### LIGHT CURVE



### Optical and Electrical

<b>Power</b>	121W
<b>Lumen output</b>	14000lm
<b>Colour temperature</b>	4000K
<b>CRI</b>	≥70
<b>Efficacy</b>	115 lm/W
<b>Beam Angle</b>	Asymmetric
<b>Dimming</b>	Optional
<b>Life Time</b>	100,000 Hours
<b>IP Rating</b>	IP66/IK08
<b>Emergency Kit</b>	-

### Mechanical

<b>Operating Temperature</b>	-40°C /+50°C
<b>Dimensions</b>	729,6 x 301 x 136 mm
<b>Product Weight</b>	8,5 kg
<b>Mounting Options</b>	Post-top , Side



# Street Light

## Sardes S3 - 100



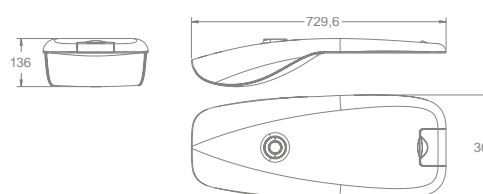
### Optical and Electrical

<b>Power</b>	100W
<b>Lumen output</b>	11500lm
<b>Colour temperature</b>	4000K
<b>CRI</b>	≥70
<b>Efficacy</b>	115 lm/W
<b>Beam Angle</b>	Asymmetric
<b>Dimming</b>	Optional
<b>Life Time</b>	100,000 Hours
<b>IP Rating</b>	IP66/IK08
<b>Emergency Kit</b>	-

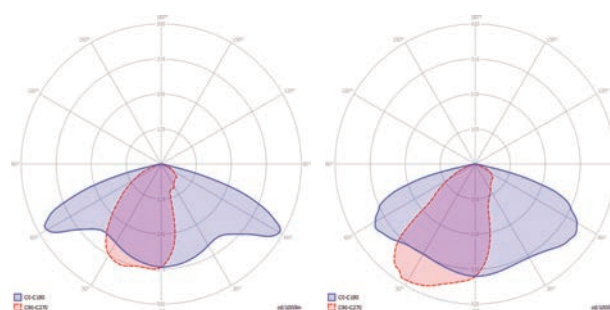
### Mechanical

<b>Operating Temperature</b>	-40°C / +50°C
<b>Dimensions</b>	729,6 x 301 x 136 mm
<b>Product Weight</b>	8,5 kg
<b>Mounting Options</b>	Post-top , Side

### DIMENSIONS (mm)



### LIGHT CURVE

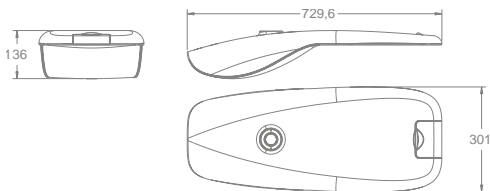


# Street Light

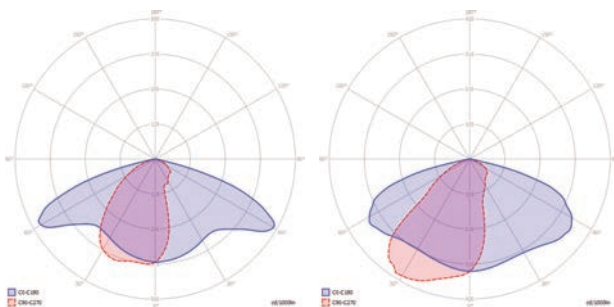
## Sardes S3 - 78



### DIMENSIONS (mm)



### LIGHT CURVE



### Optical and Electrical

<b>Power</b>	78W
<b>Lumen output</b>	9000lm
<b>Colour temperature</b>	4000K
<b>CRI</b>	≥70
<b>Efficacy</b>	115 lm/W
<b>Beam Angle</b>	Asymmetric
<b>Dimming</b>	Optional
<b>Life Time</b>	100,000 Hours
<b>IP Rating</b>	IP66/IK08
<b>Emergency Kit</b>	-

### Mechanical

<b>Operating Temperature</b>	-40°C /+50°C
<b>Dimensions</b>	729,6 x 301 x 136 mm
<b>Product Weight</b>	8,5 kg
<b>Mounting Options</b>	Post-top , Side

# Street Light

## Sardes S5 - 60



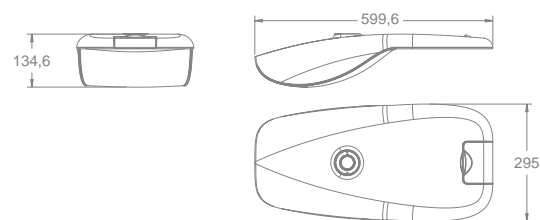
### Optical and Electrical

<b>Power</b>	60W
<b>Lumen output</b>	7000lm
<b>Colour temperature</b>	4000K
<b>CRI</b>	≥70
<b>Efficacy</b>	115 lm/W
<b>Beam Angle</b>	Asymmetric
<b>Dimming</b>	Optional
<b>Life Time</b>	100,000 Hours
<b>IP Rating</b>	IP66/IK08
<b>Emergency Kit</b>	-

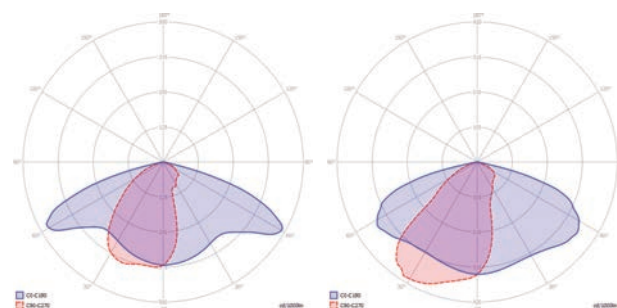
### Mechanical

<b>Operating Temperature</b>	-40°C / +50°C
<b>Dimensions</b>	599,6 x 295 x 134,6 mm
<b>Product Weight</b>	6,5 kg
<b>Mounting Options</b>	Post-top , Side

### DIMENSIONS (mm)



### LIGHT CURVE



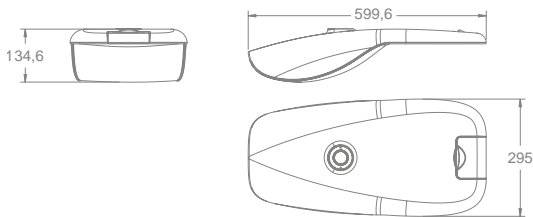


# Street Light

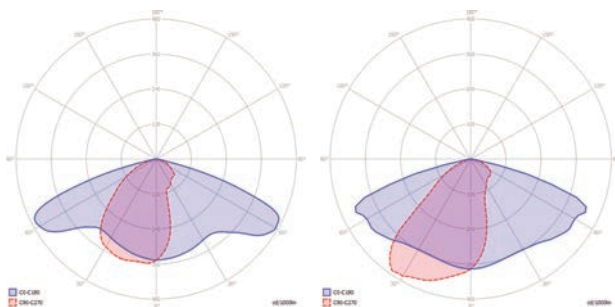
## Sardes S5H - 50



### DIMENSIONS (mm)



### LIGHT CURVE



### Optical and Electrical

<b>Power</b>	50,5W
<b>Lumen output</b>	6600lm
<b>Colour temperature</b>	4000K
<b>CRI</b>	≥70
<b>Efficacy</b>	130 lm/W
<b>Beam Angle</b>	Asymmetric
<b>Dimming</b>	Optional
<b>Life Time</b>	100,000 Hours
<b>IP Rating</b>	IP66/IK08
<b>Emergency Kit</b>	-

### Mechanical

<b>Operating Temperature</b>	-40°C /+50°C
<b>Dimensions</b>	599,6 x 295 x 134,6 mm
<b>Product Weight</b>	6,5 kg
<b>Mounting Options</b>	Post-top , Side

# Street Light

## Sardes S5 - 35



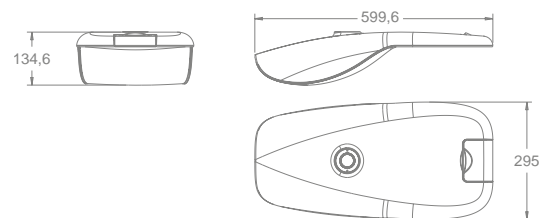
### Optical and Electrical

<b>Power</b>	35W
<b>Lumen output</b>	4025lm
<b>Colour temperature</b>	4000K
<b>CRI</b>	≥70
<b>Efficacy</b>	115 lm/W
<b>Beam Angle</b>	Asymmetric
<b>Dimming</b>	Optional
<b>Life Time</b>	100,000 Hours
<b>IP Rating</b>	IP66/IK08
<b>Emergency Kit</b>	-

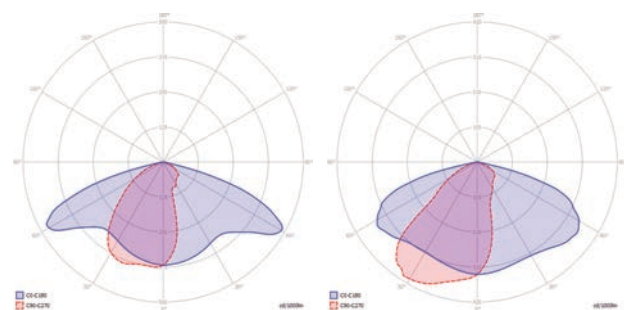
### Mechanical

<b>Operating Temperature</b>	-40°C / +50°C
<b>Dimensions</b>	599,6 x 295 x 134,6 mm
<b>Product Weight</b>	6,5 kg
<b>Mounting Options</b>	Post-top , Side

### DIMENSIONS (mm)



### LIGHT CURVE

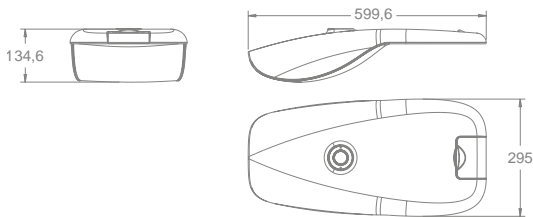


# Street Light

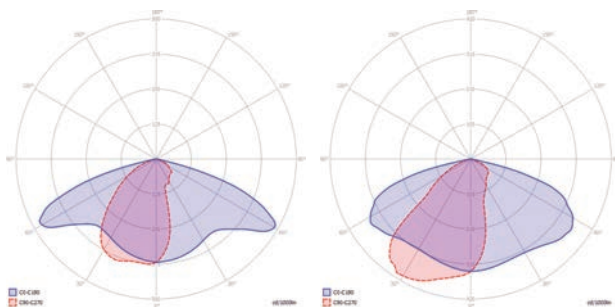
## Sardes S5 - 24



### DIMENSIONS (mm)



### LIGHT CURVE



### Optical and Electrical

<b>Power</b>	24W
<b>Lumen output</b>	2800lm
<b>Colour temperature</b>	4000K
<b>CRI</b>	≥70
<b>Efficacy</b>	116 lm/W
<b>Beam Angle</b>	Asymmetric
<b>Dimming</b>	Optional
<b>Life Time</b>	100,000 Hours
<b>IP Rating</b>	IP66/IK08
<b>Emergency Kit</b>	-

### Mechanical

<b>Operating Temperature</b>	-40°C / +50°C
<b>Dimensions</b>	599,6 x 295 x 134,6 mm
<b>Product Weight</b>	6,5 kg
<b>Mounting Options</b>	Post-top , Side



# Street Light

## Sardes S5H - 13



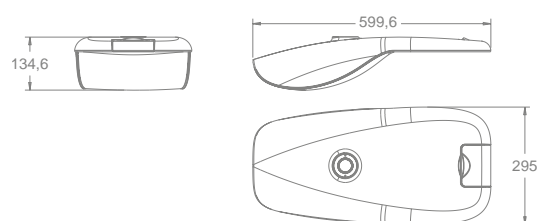
### Optical and Electrical

<b>Power</b>	13W
<b>Lumen output</b>	1900lm
<b>Colour temperature</b>	4000K
<b>CRI</b>	≥70
<b>Efficacy</b>	146 lm/W
<b>Beam Angle</b>	Asymmetric
<b>Dimming</b>	Optional
<b>Life Time</b>	100,000 Hours
<b>IP Rating</b>	IP66/IK08
<b>Emergency Kit</b>	-

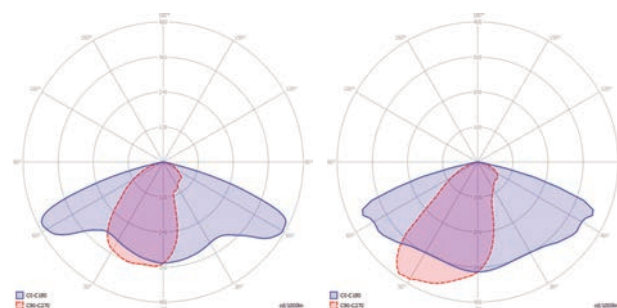
### Mechanical

<b>Operating Temperature</b>	-40°C / +50°C
<b>Dimensions</b>	599,6 x 295 x 134,6 mm
<b>Product Weight</b>	6,5 kg
<b>Mounting Options</b>	Post-top , Side

### DIMENSIONS (mm)



### LIGHT CURVE









**Vestel Trade Co.**

Organize Sanayi Bölgesi, 45030 Manisa/Türkiye

**Phone:** 90 - 236 233 25 82

**Fax:** 90 - 236 233 25 84

vesteltrade@vestel.com.tr

www.vestel.com.tr

**Vestel Benelux B.V.**

P.O. Box 29179 3001 GD - Rotterdam / Netherlands

**Phone:** 31 - 10 235 1000

**Fax:** 31 - 10 235 1003

info@vestelbenelux.nl

www.vestelbenelux.nl

**TOO Vestel Central Asia**

Dostyk Avenue, 132 , Office 6, Almaty/Kazakhstan

**Phone:** 7 - 727 262 83 01

**Vestel CIS Ltd.**

1-st Graivoronovsky Proezd, No.20 Building 16,

109518, Moscow /Russia

**Phone:** 7 - 095 956 8230

**Fax:** 7 - 095 956 8233

info@vestel.ru

www.vestel.ru

**Vestel Electronica**

Str Zidarului nr 9-11, Sector 5 Bucuresti, ZIP 051765

Bucharest/Romania

**Phone:** 40 - 31 425 42 93

**Fax:** 40 -31 425 42 95

office@vestel.ro

www.vestel.ro

**Vestel France S.A.**

17 Rue de la Couture-Silic BP 10190-94563 RUNGIS

Cedex/France

**Phone:** 33 - 1 46 75 00 29

**Fax:** 33 - 1 41 80 99 31

p.benhamou@vestel-france.fr

**Vestel Germany GmbH**

Parkring 6 85748 Garching b. München/Germany

**Phone:** 49 - 89 55295 - 0

**Fax:** 49 - 89 55295 - 2000

info@vestel-germany.de

www.vestel-germany.de

**Gruppo Industriale Vesit SPA**

Via polidoro da Caravaggio, 6, 20156 - Milano/Italy

**Phone:** 39 - 02 842 48577

**Fax:** 39 - 02 842 48617

info@givesit.it

www.givesit.it

**Vestfrost Household**

Spangsbjerg Mollevej 100, DK-6705 Esbjerg 0,

Denmark

**Phone:** 45 - 7610 4045

**Fax:** 45 - 7610 4046

**Vestel Iberia**

Avda, Partenon, 16-18 Planta 1 Oficina 6, 28042

Madrid/Spain

**Phone:** 34 -91 320 63 98

**Fax:** 34 -91 320 52 58

vestel@vestel.es www.vestel.es

**Vestel Poland**

Poleczki 33, 02-822 Warszawa, Mazowieckie

**Phone:** 48 22 2555700

info@vestel-poland.com

**Vestel Scandinavia**

Postikatu 4, FI-04400 Järvenpää / Finland

**Phone:** 358 - 46 712 2262

**Fax:** 358 - (0) 9 251 7 8222

**Vestel UK Ltd**

Vestel House, Waterside Drive

Langley, Berkshire SL3 6EZ

**Phone:** 44 - 3330 146 400

info@vestel-uk.com

www.vestel.co.uk

**United Technical Services**

S.R.O. ul. Seneckâ 16, 91101 Samorin, Slovakia

**Phone:** 421- 31 590 27 31

**Fax:** 421- 31 590 27 38

info@uts.sk

www.uts.sk

# VESTEL

---

Organize Sanayi Bölgesi, 45030 Manisa/Türkiye  
**Phone:** 90 - 236 233 25 82 **Fax:** 90 - 236 233 25 84  
vesteltrade@vestel.com.tr  
www.vestel.com.tr